

INDEX



3

Introduction



4

Finishing Details



5

Stainless Steel Handles



55

Hinges



79

Door Accessories



97

Furniture Handles



101

Locks & Cylinders

INTRODUCTION



LIVORNO® has been manufacturing, marketing and exporting high quality Ironmongery Hardware products such as door handles, hinges, bolts and other hardware and accessories since 1990.

Benefiting from the rich experience it has acquired since its establishment over 16 years ago, **LIVORNO®** has invested in enduring customer relationships with clients spread over 30 countries worldwide. Special attention is at all times given to our customers whose every requirement is sought to be met by furnishing either exclusive or customized products as specified.

Each product is the outcome of an intense focus on design, superior quality manufacture, competitive prices matching the best value worldwide and timely delivery – all backed up by attractive business terms and an after sales service which our clients have learnt to rely on.

The end result is that **LIVORNO®** products are made of durable, superior quality material by skilled craftsmen with stringent quality control throughout the entire manufacturing process. It is our assurance that these can be used with pride and joy for many years to come.

We also take pride in informing you that today, after almost two decades of proven performance in the world market, **LIVORNO®** products are rapidly gaining recognition in Europe, South East Asia and the Middle East.

It is with great pleasure that we present you this new Catalogue which depicts the wide range of products we offer and comes with a sincere assurance that all needs of our esteemed customers will be catered to promptly and professionally.





Finishes Details

- SSS** Satin Stainless Steel
- PSS** Polish Stainless Steel
- PVD** Physical Vapor Deposition
- PB** Polish Brass
- GP** Gold Plated
- BP** Brass Plated
- AB** Antique Brass Plated
- AC** Antique Copper Plated
- CP** Chrome Plated
- SC** Satin Chrome
- SN** Satin Nickel
- NP** Nickel Plated

Finishes Details



Livorno®

Stainless Steel Handles



Stainless Steel Handles

Stainless Steel Handles

Livorno®



Stainless Steel Handles

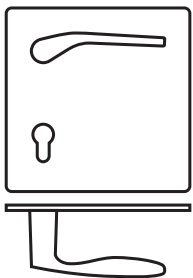


Finishes

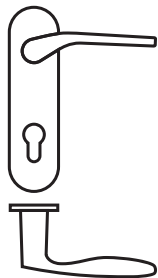
(SSS)
Satin
Stainless
Steel

(PSS)
Polish
Stainless
Steel

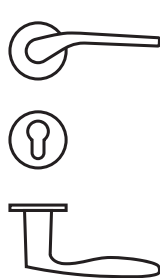
(PVD)
Physical
Vapor
Deposition



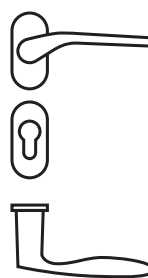
SX 2000-A



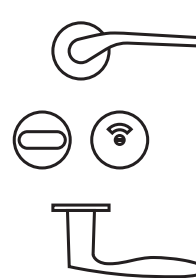
SX 2000-B



SX 2000-C



SX 2000-D



SX 2000-E



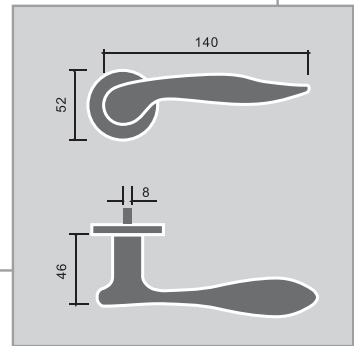
Stainless Steel Handles



Livorno®

Stainless Steel Handles

SX 2001



Finishes



(SSS)
Satin
Stainless
Steel



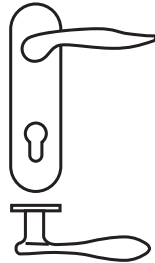
(PSS)
Polish
Stainless
Steel



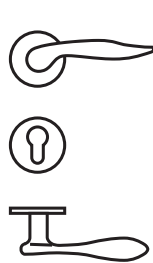
(PVD)
Physical
Vapor
Deposition



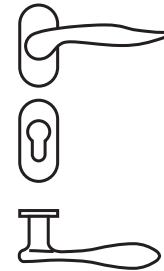
SX 2001-A



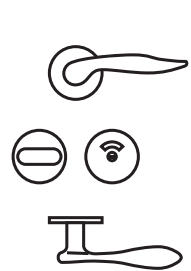
SX 2001-B



SX 2001-C



SX 2001-D



SX 2001-E



Stainless Steel Handles

Livorno®



Stainless Steel Handles

SX 2002

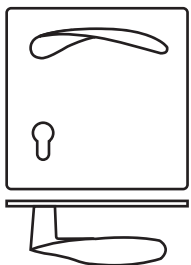


Finishes

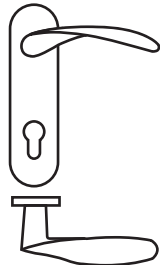
(SSS)
Satin
Stainless
Steel

(PSS)
Polish
Stainless
Steel

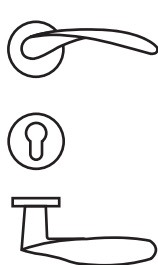
(PVD)
Physical
Vapor
Deposition



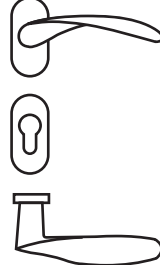
SX 2002-A



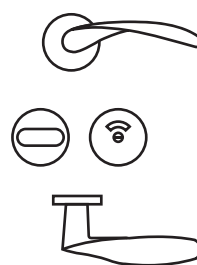
SX 2002-B



SX 2002-C



SX 2002-D



SX 2002-E

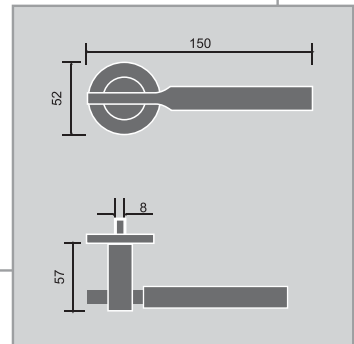
Stainless Steel Handles



Livorno®

Stainless Steel Handles

SX 2003



Finishes



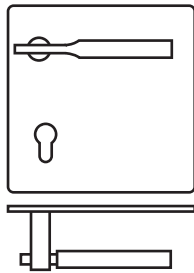
(SSS)
Satin
Stainless
Steel



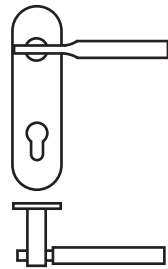
(PSS)
Polish
Stainless
Steel



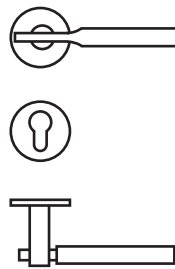
(PVD)
Physical
Vapor
Deposition



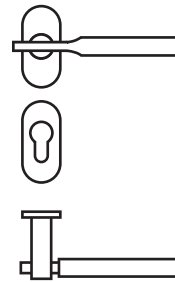
SX 2003-A



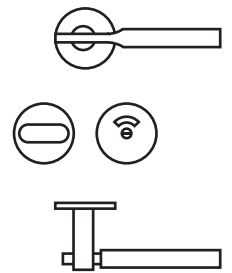
SX 2003-B



SX 2003-C



SX 2003-D



SX 2003-E



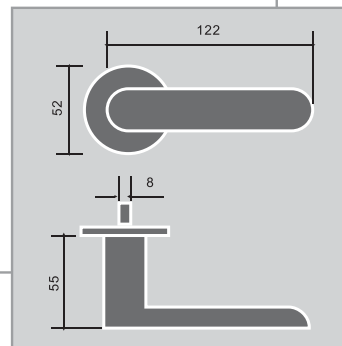
Stainless Steel Handles

Livorno®



Stainless Steel Handles

SX 2004



Finishes



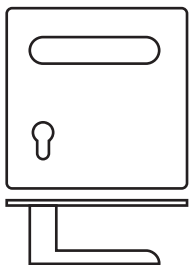
(SSS)
Satin
Stainless
Steel



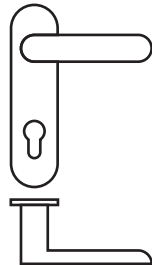
(PSS)
Polish
Stainless
Steel



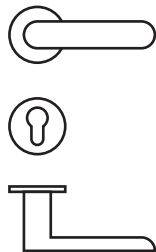
(PVD)
Physical
Vapor
Deposition



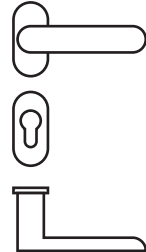
SX 2004-A



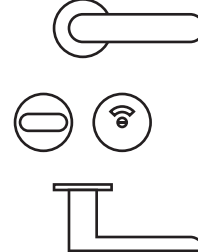
SX 2004-B



SX 2004-C



SX 2004-D



SX 2004-E

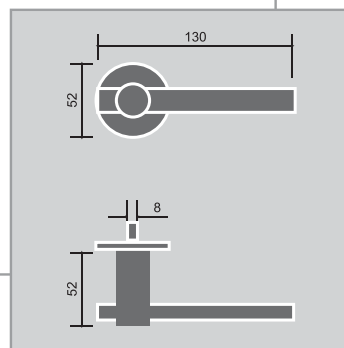
Stainless Steel Handles



Livorno®

Stainless Steel Handles

SX 2005



Finishes



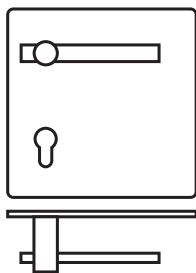
(SSS)
Satin
Stainless
Steel



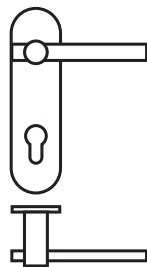
(PSS)
Polish
Stainless
Steel



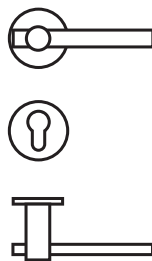
(PVD)
Physical
Vapor
Deposition



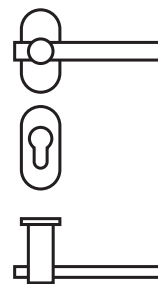
SX 2005-A



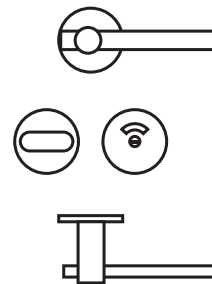
SX 2005-B



SX 2005-C



SX 2005-D



SX 2005-E



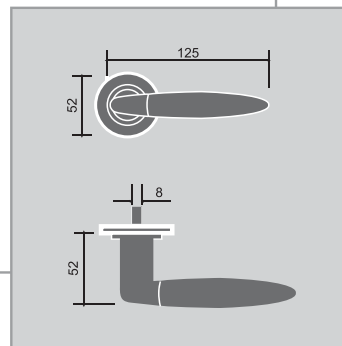
Stainless Steel Handles

Livorno®



Stainless Steel Handles

SX 2006



Finishes



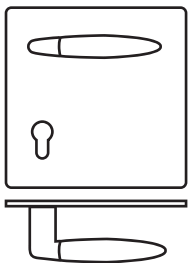
(SSS)
Satin
Stainless
Steel



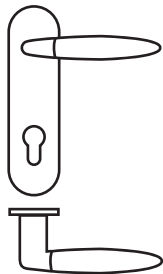
(PSS)
Polish
Stainless
Steel



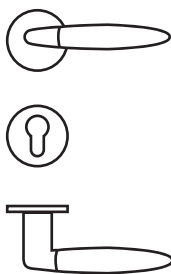
(PVD)
Physical
Vapor
Deposition



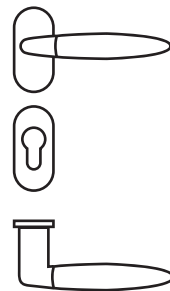
SX 2006-A



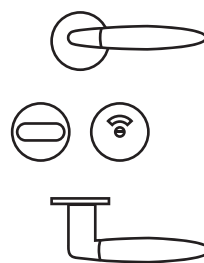
SX 2006-B



SX 2006-C



SX 2006-D



SX 2006-E

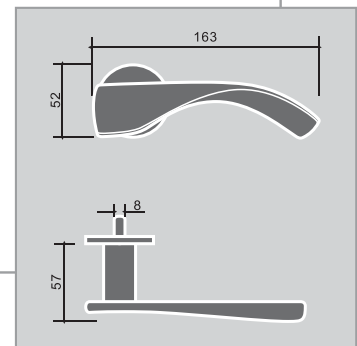
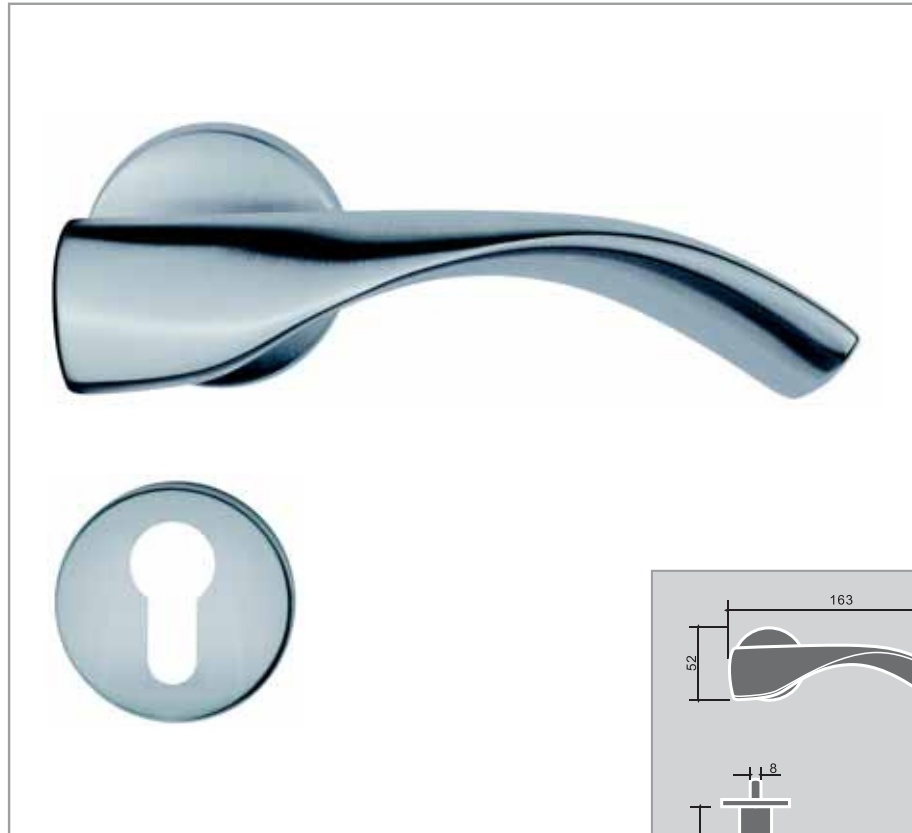
Stainless Steel Handles



Livorno®

Stainless Steel Handles

SX 2007



Finishes



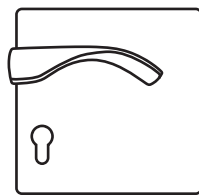
(SSS)
Satin
Stainless
Steel



(PSS)
Polish
Stainless
Steel



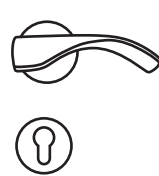
(PVD)
Physical
Vapor
Deposition



SX 2007-A



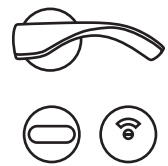
SX 2007-B



SX 2007-C



SX 2007-D



SX 2007-E

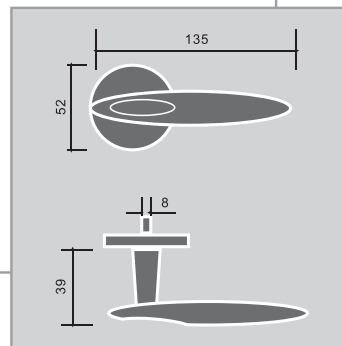
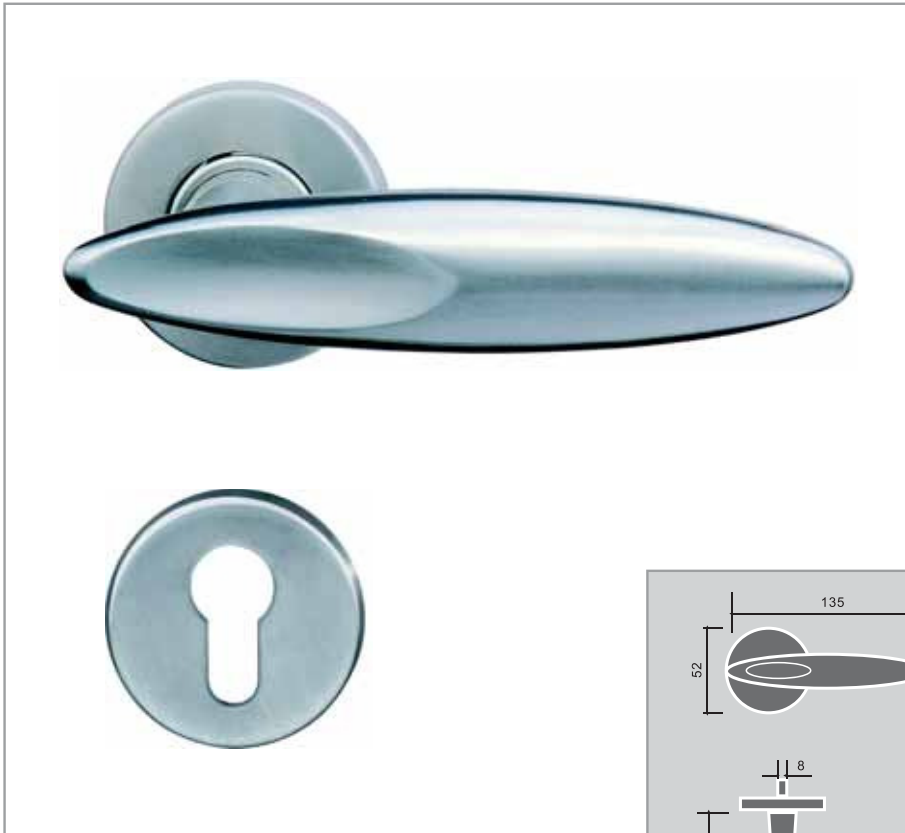
Stainless Steel Handles

Livorno®



Stainless Steel Handles

SX 2008

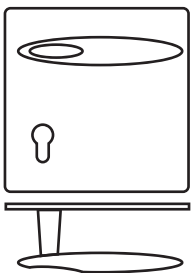


Finishes

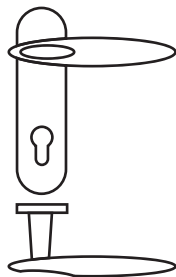
(SSS)
Satin
Stainless
Steel

(PSS)
Polish
Stainless
Steel

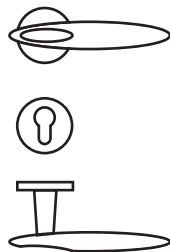
(PVD)
Physical
Vapor
Deposition



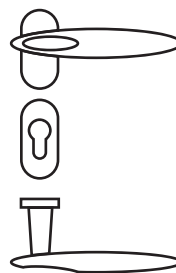
SX 2008-A



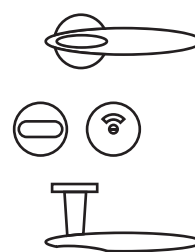
SX 2008-B



SX 2008-C



SX 2008-D



SX 2008-E

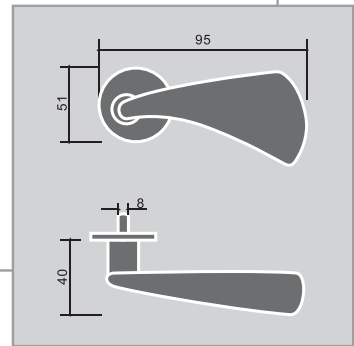
Stainless Steel Handles



Livorno®

Stainless Steel Handles

SX 2009



Finishes



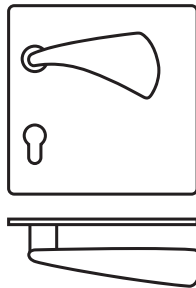
(SSS)
Satin
Stainless
Steel



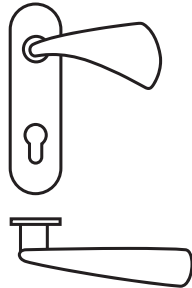
(PSS)
Polish
Stainless
Steel



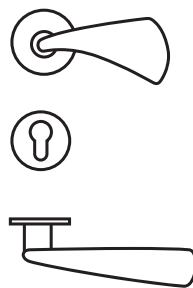
(PVD)
Physical
Vapor
Deposition



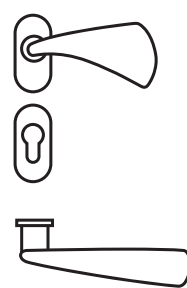
SX 2009-A



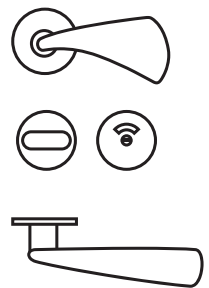
SX 2009-B



SX 2009-C



SX 2009-D



SX 2009-E



Stainless Steel Handles

Livorno®



Stainless Steel Handles

SX 2010



Finishes



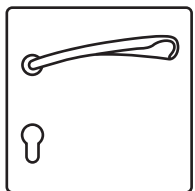
(SSS)
Satin
Stainless
Steel



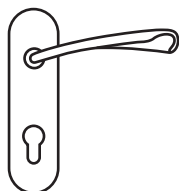
(PSS)
Polish
Stainless
Steel



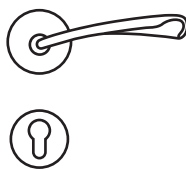
(PVD)
Physical
Vapor
Deposition



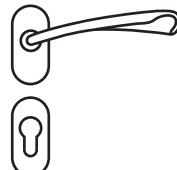
SX 2010-A



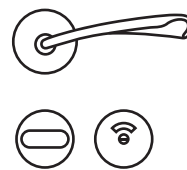
SX 2010-B



SX 2010-C



SX 2010-D



SX 2010-E

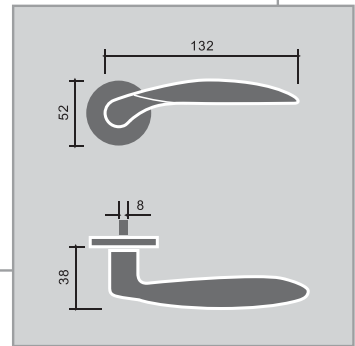
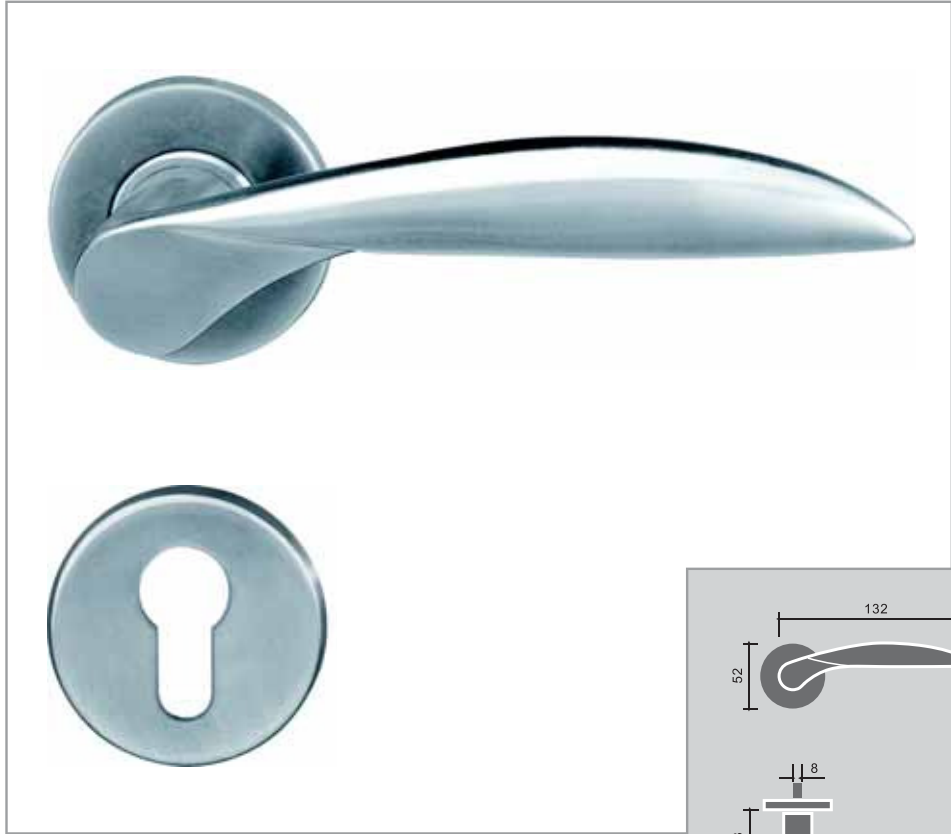
Stainless Steel Handles



Livorno®

Stainless Steel Handles

SX 2011



Finishes



(SSS)
Satin
Stainless
Steel



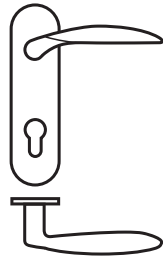
(PSS)
Polish
Stainless
Steel



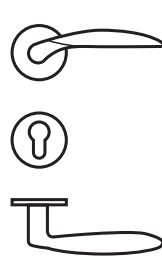
(PVD)
Physical
Vapor
Deposition



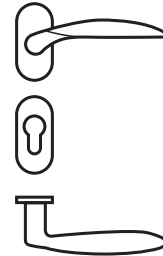
SX 2011-A



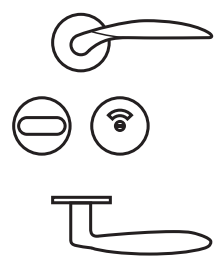
SX 2011-B



SX 2011-C



SX 2011-D



SX 2011-E



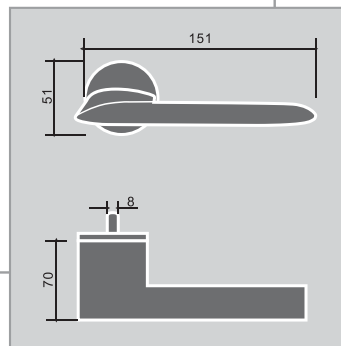
Stainless Steel Handles

Livorno®



Stainless Steel Handles

SX 2012



Finishes



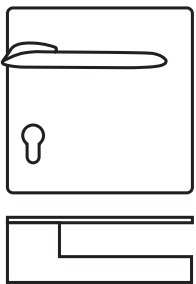
(SSS)
Satin
Stainless
Steel



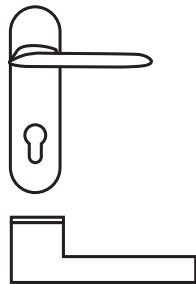
(PSS)
Polish
Stainless
Steel



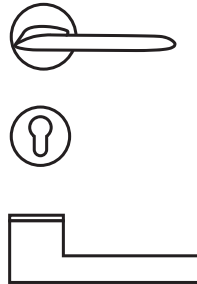
(PVD)
Physical
Vapor
Deposition



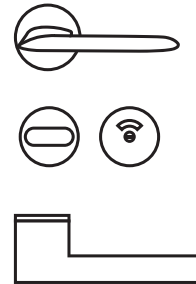
SX 2012-A



SX 2012-B



SX 2012-C



SX 2012-D

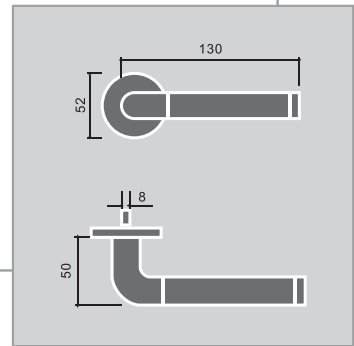
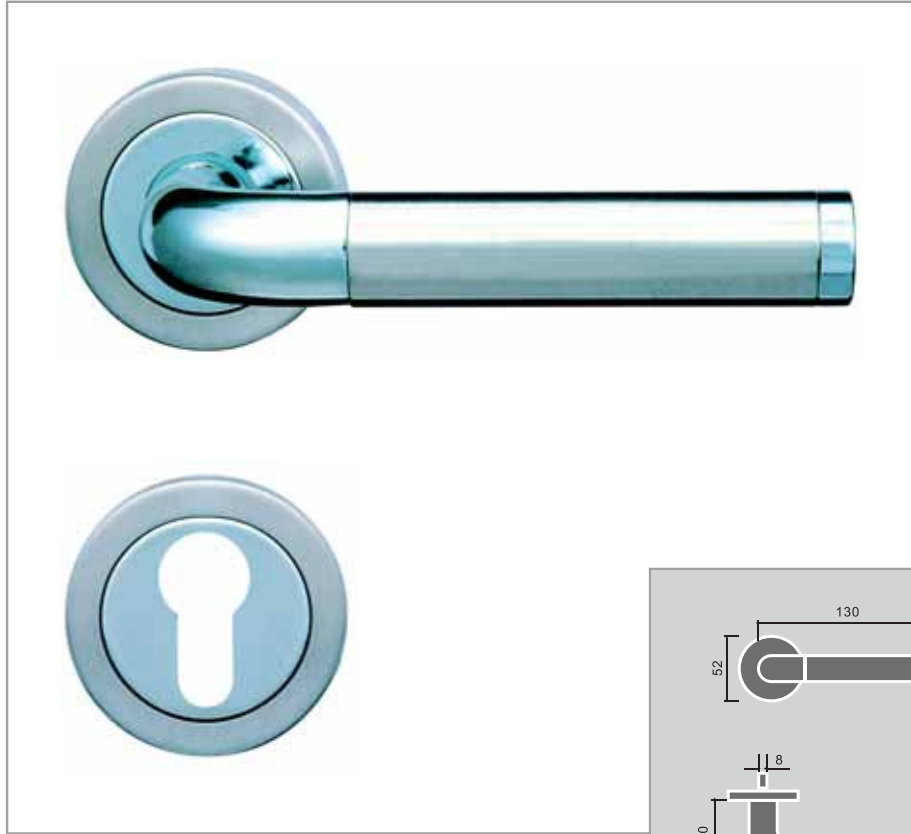
Stainless Steel Handles



Livorno®

Stainless Steel Handles

SX 2013



Finishes



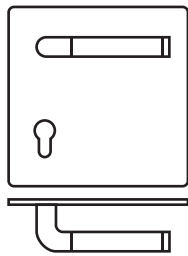
(SSS)
Satin
Stainless
Steel



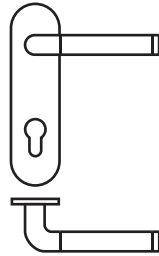
(PSS)
Polish
Stainless
Steel



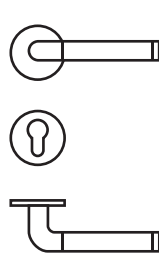
(PVD)
Physical
Vapor
Deposition



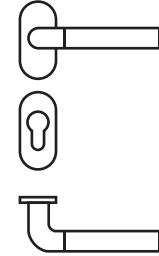
SX 2013-A



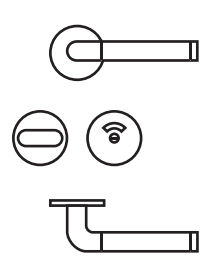
SX 2013-B



SX 2013-C



SX 2013-D



SX 2013-E



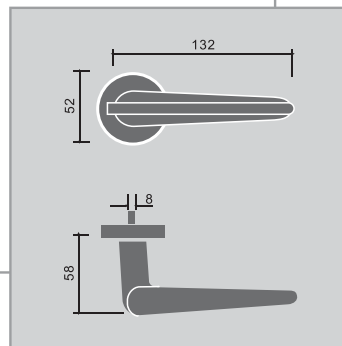
Stainless Steel Handles

Livorno®



Stainless Steel Handles

SX 2014

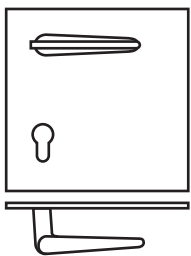


Finishing

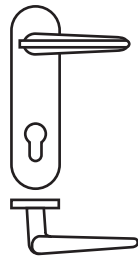
(SSS)
Satin
Stainless
Steel

(PSS)
Polish
Stainless
Steel

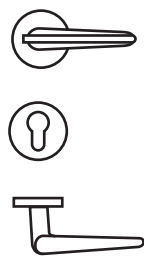
(PVD)
Physical
Vapor
Deposition



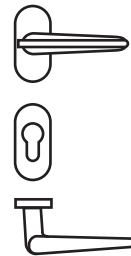
SX 2014-A



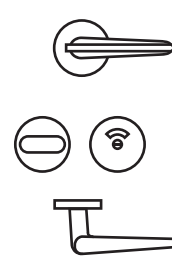
SX 2014-B



SX 2014-C



SX 2014-D



SX 2014-E



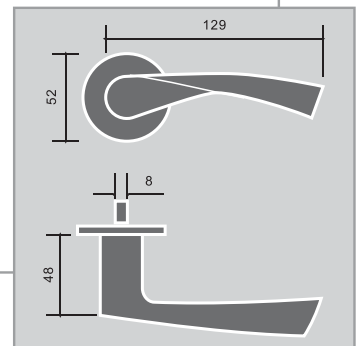
Stainless Steel Handles



Livorno®

Stainless Steel Handles

SX 2015



Finishes



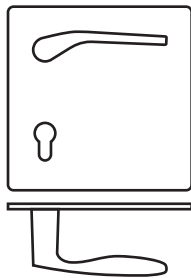
(SSS)
Satin
Stainless
Steel



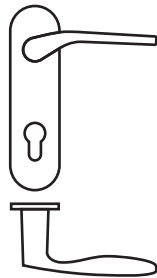
(PSS)
Polish
Stainless
Steel



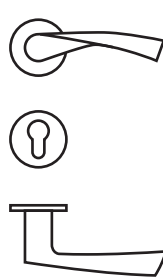
(PVD)
Physical
Vapor
Deposition



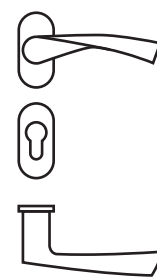
SX 2015-A



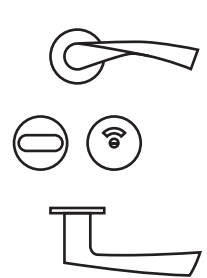
SX 2015-B



SX 2015-C



SX 2015-D



SX 2015-E



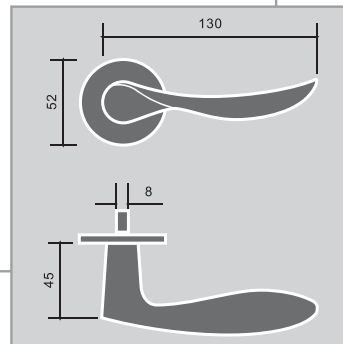
Stainless Steel Handles

Livorno®



Stainless Steel Handles

SX 2016



Finishes



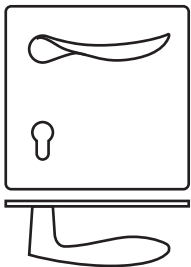
(SSS)
Satin
Stainless
Steel



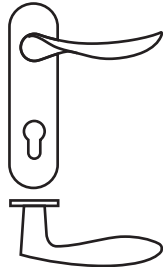
(PSS)
Polish
Stainless
Steel



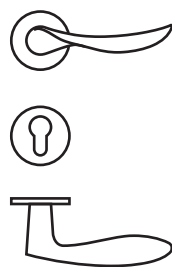
(PVD)
Physical
Vapor
Deposition



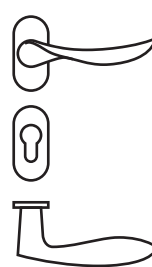
SX 2016-A



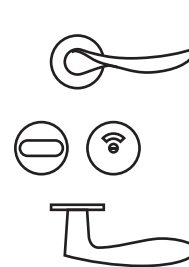
SX 2016-B



SX 2016-C



SX 2016-D



SX 2016-E

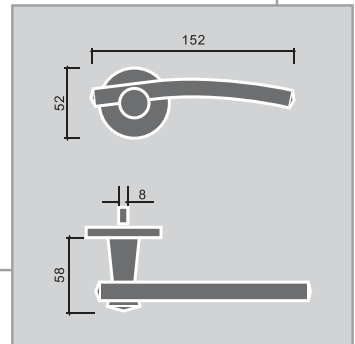
Stainless Steel Handles



Livorno®

Stainless Steel Handles

SX 2017



Finishes



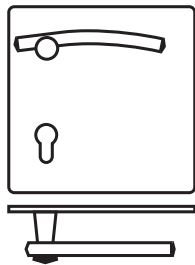
(SSS)
Satin
Stainless
Steel



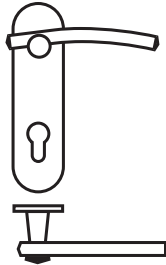
(PSS)
Polish
Stainless
Steel



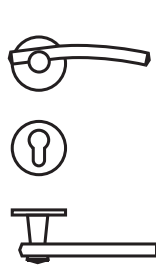
(PVD)
Physical
Vapor
Deposition



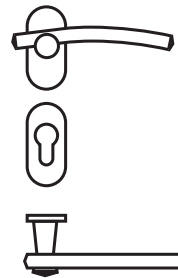
SX 2017-A



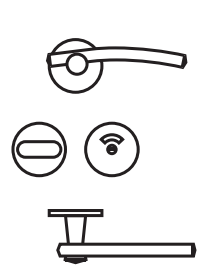
SX 2017-B



SX 2017-C



SX 2017-D



SX 2017-E



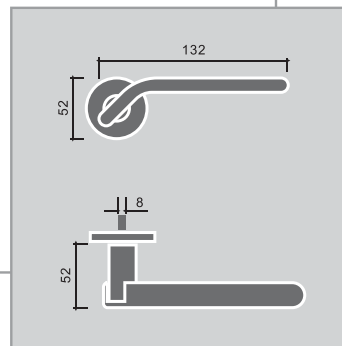
Stainless Steel Handles

Livorno®



Stainless Steel Handles

SX 2018



Finishes



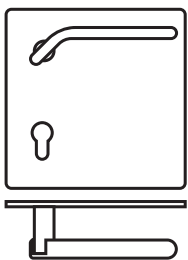
(SSS)
Satin
Stainless
Steel



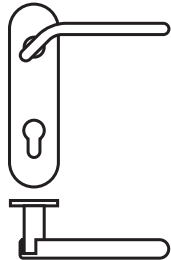
(PSS)
Polish
Stainless
Steel



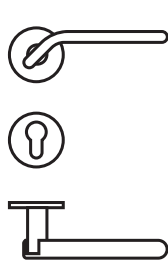
(PVD)
Physical
Vapor
Deposition



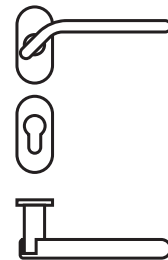
SX 2018-A



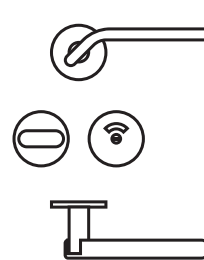
SX 2018-B



SX 2018-C



SX 2018-D



SX 2018-E

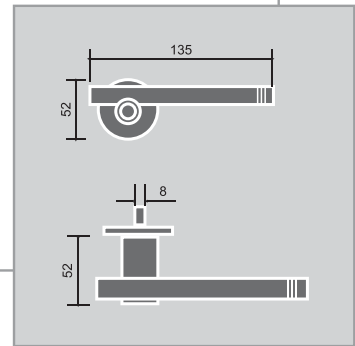
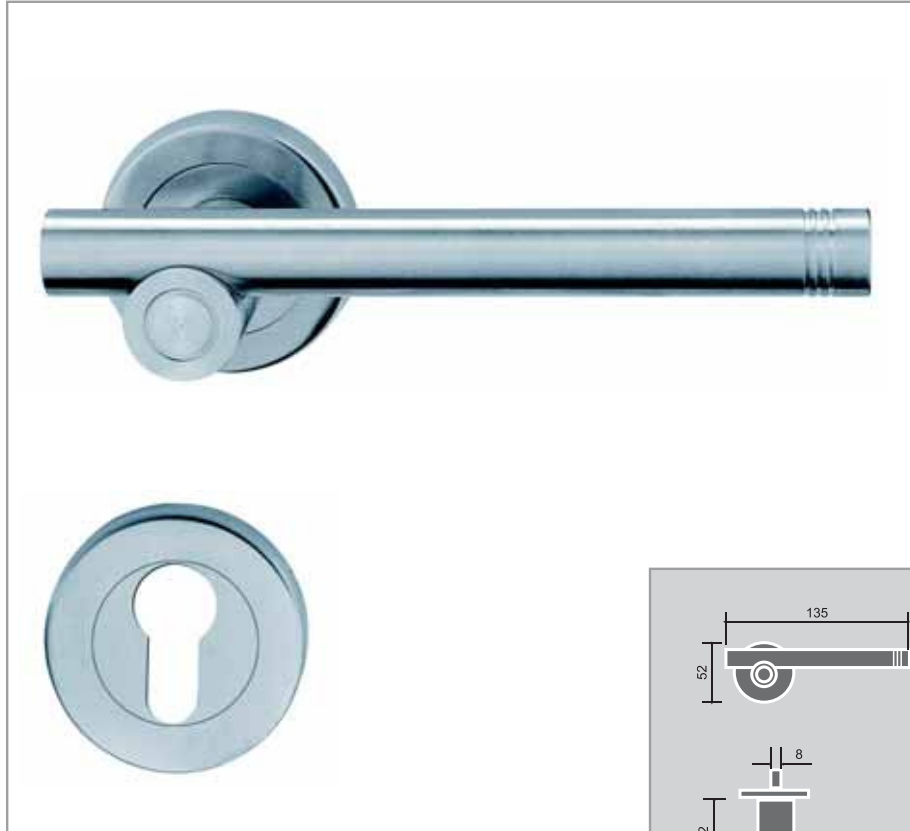
Stainless Steel Handles



Livorno®

Stainless Steel Handles

SX 2019



Finishes



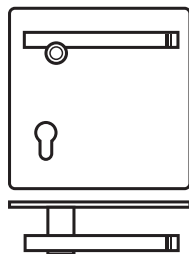
(SSS)
Satin
Stainless
Steel



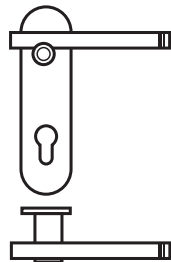
(PSS)
Polish
Stainless
Steel



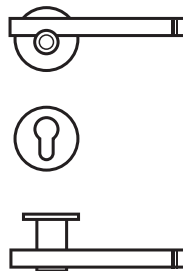
(PVD)
Physical
Vapor
Deposition



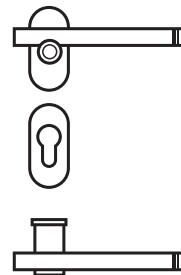
SX 2019-A



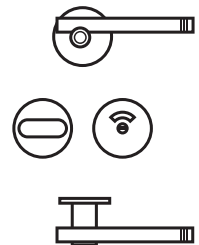
SX 2019-B



SX 2019-C



SX 2019-D



SX 2019-E



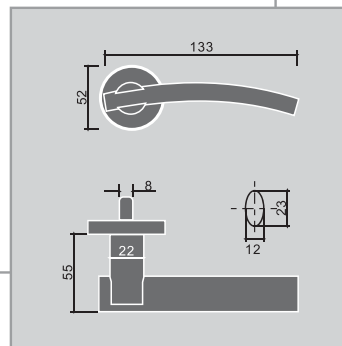
Stainless Steel Handles

Livorno®



Stainless Steel Handles

SX 2020



Finishes



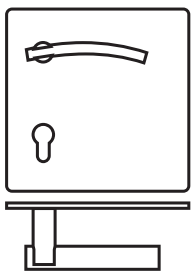
(SSS)
Satin
Stainless
Steel



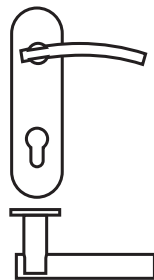
(PSS)
Polish
Stainless
Steel



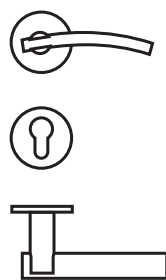
(PVD)
Physical
Vapor
Deposition



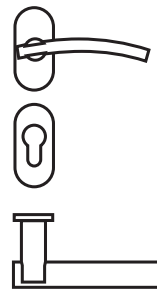
SX 2020-A



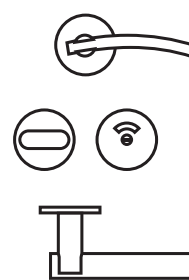
SX 2020-B



SX 2020-C



SX 2020-D



SX 2020-E

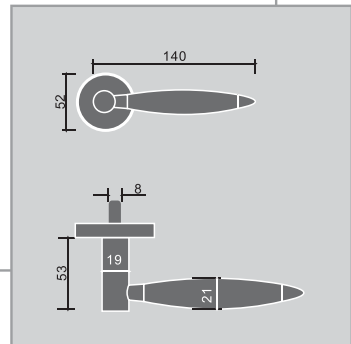
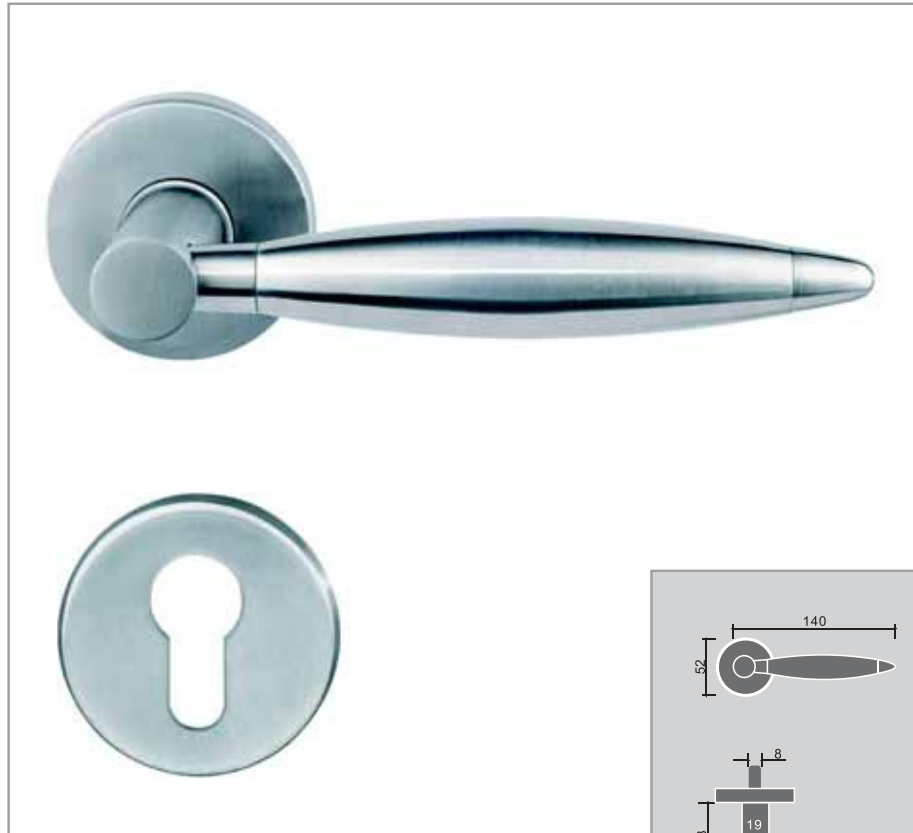
Stainless Steel Handles



Livorno®

Stainless Steel Handles

SX 2021



Finishes



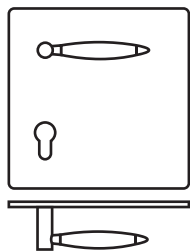
(SSS)
Satin
Stainless
Steel



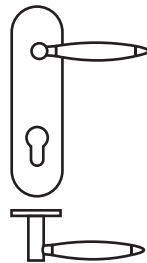
(PSS)
Polish
Stainless
Steel



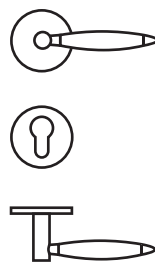
(PVD)
Physical
Vapor
Deposition



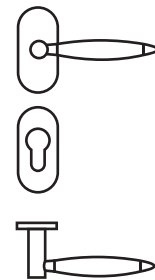
SX 2021-A



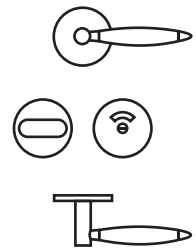
SX 2021-B



SX 2021-C



SX 2021-D



SX 2021-E



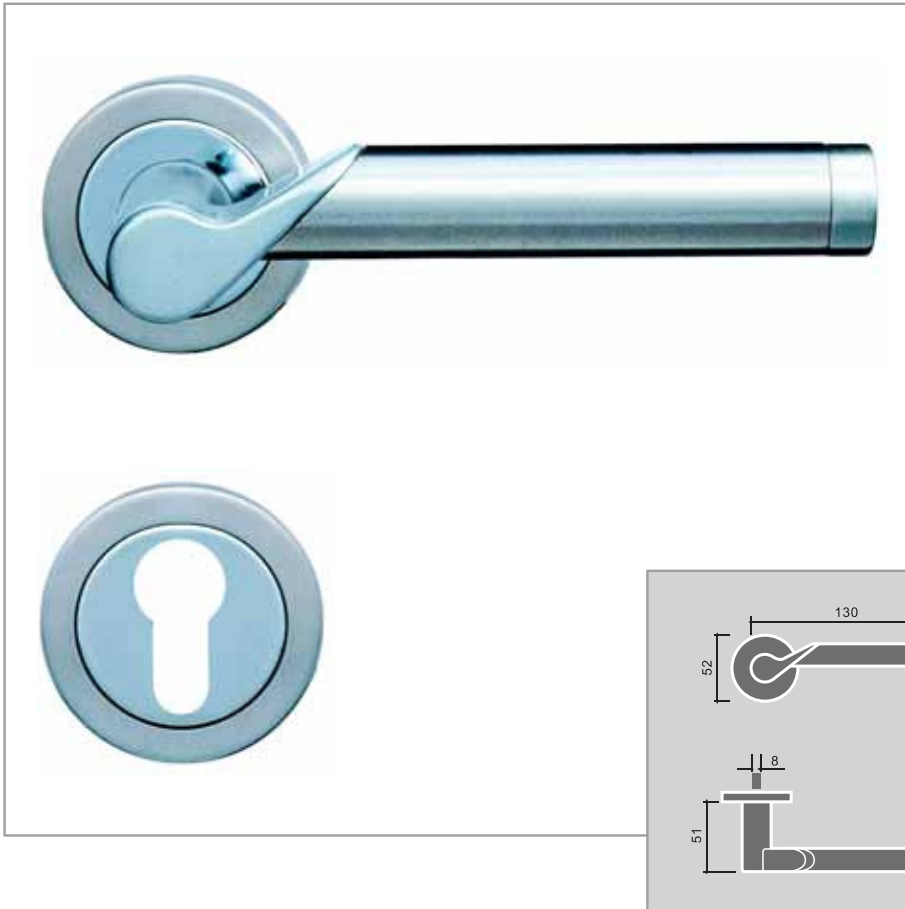
Stainless Steel Handles

Livorno®




Stainless Steel Handles

SX 2022

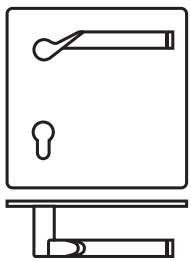


Finishes

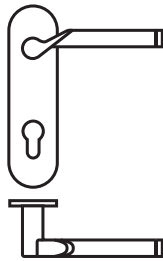
 (SSS)
Satin
Stainless
Steel

 (PSS)
Polish
Stainless
Steel

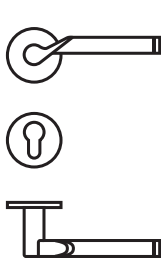
 (PVD)
Physical
Vapor
Deposition



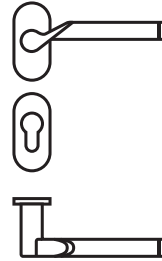
SX 2022-A



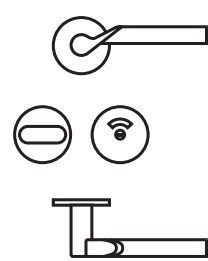
SX 2022-B



SX 2022-C



SX 2022-D



SX 2022-E

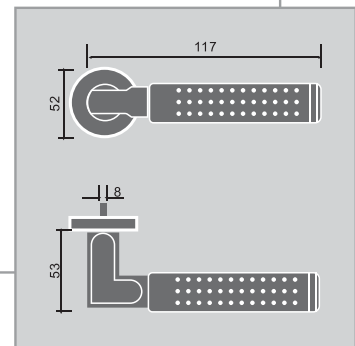
Stainless Steel Handles



Livorno®

Stainless Steel Handles

SX 2023



Finishes



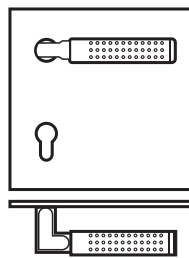
(SSS)
Satin
Stainless
Steel



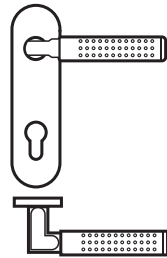
(PSS)
Polish
Stainless
Steel



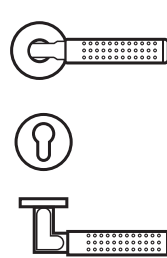
(PVD)
Physical
Vapor
Deposition



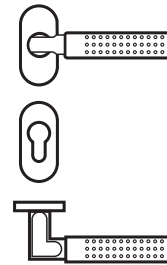
SX 2023-A



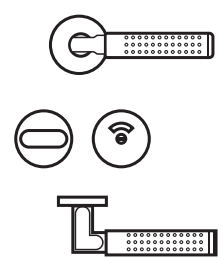
SX 2023-B



SX 2023-C



SX 2023-D



SX 2023-E



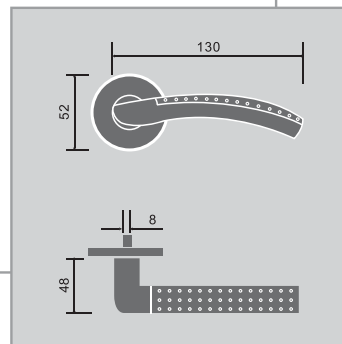
Stainless Steel Handles

Livorno®



Stainless Steel Handles

SX 2024

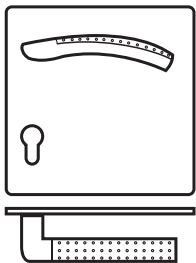


Finishes

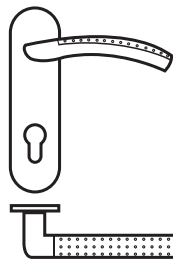
(SSS)
Satin
Stainless
Steel

(PSS)
Polish
Stainless
Steel

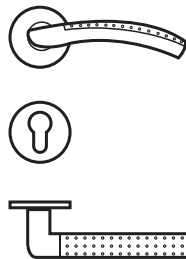
(PVD)
Physical
Vapor
Deposition



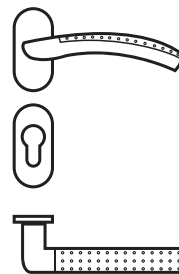
SX 2024-A



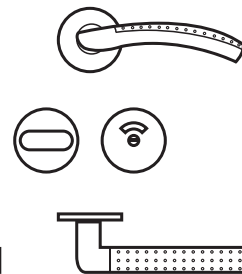
SX 2024-B



SX 2024-C



SX 2024-D



SX 2024-E

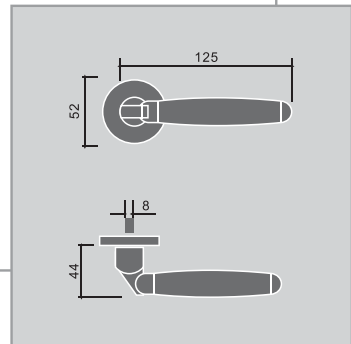
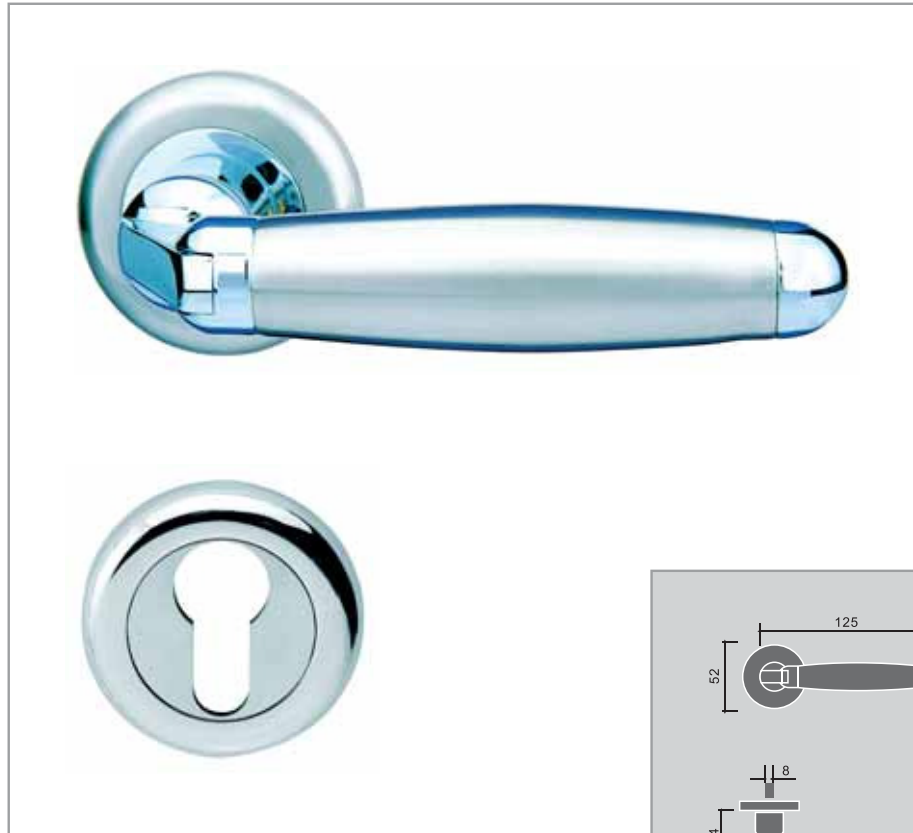
Stainless Steel Handles



Livorno®

Stainless Steel Handles

SX 2025



Finishes



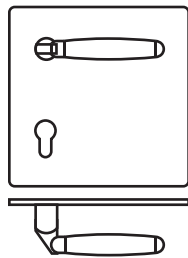
(SSS)
Satin
Stainless
Steel



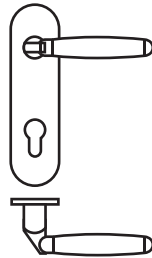
(PSS)
Polish
Stainless
Steel



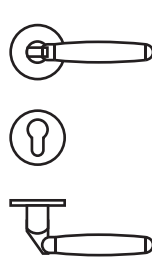
(PVD)
Physical
Vapor
Deposition



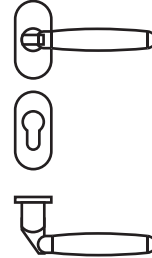
SX 2025-A



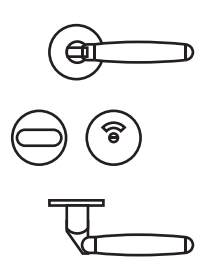
SX 2025-B



SX 2025-C



SX 2025-D



SX 2025-E



Stainless Steel Handles

Livorno®



Stainless Steel Handles

SX 2026

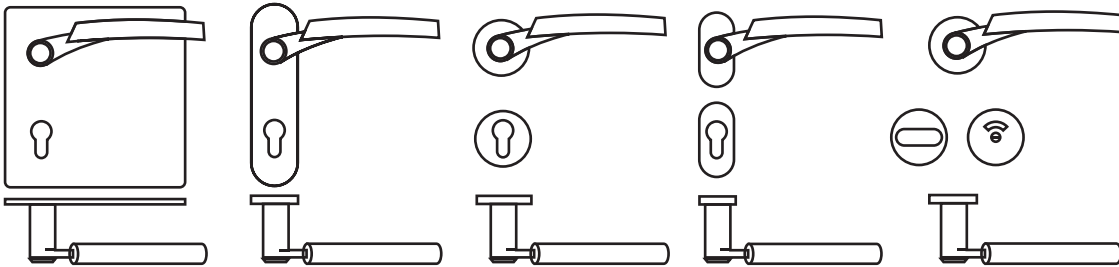


Finishes

(SSS)
Satin
Stainless
Steel

(PSS)
Polish
Stainless
Steel

(PVD)
Physical
Vapor
Deposition



SX 2026-A

SX 2026-B

SX 2026-C

SX 2026-D

SX 2026-E

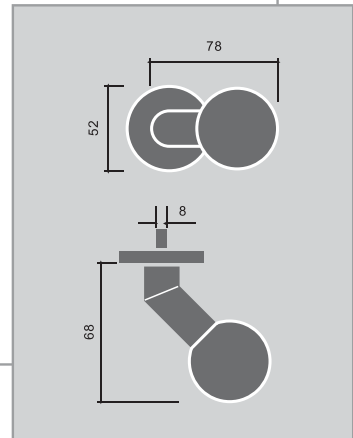
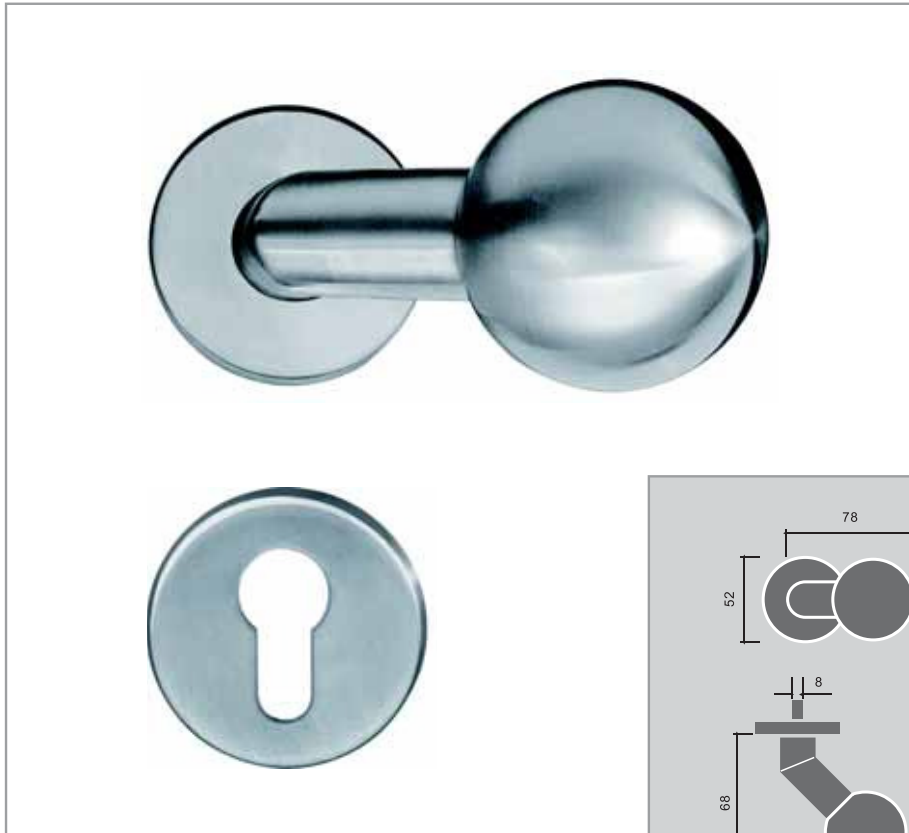
Stainless Steel Handles



Livorno®

Stainless Steel Handles

SS 4000



Finishes



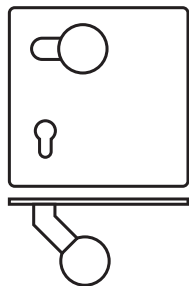
(SSS)
Satin
Stainless
Steel



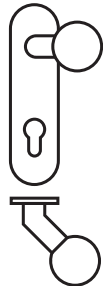
(PSS)
Polish
Stainless
Steel



(PVD)
Physical
Vapor
Deposition



SS 4000-A



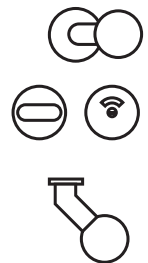
SS 4000-B



SS 4000-C



SS 4000-D



SS 4000-E

Stainless Steel Handles

Livorno®



Stainless Steel Handles

SS 4001



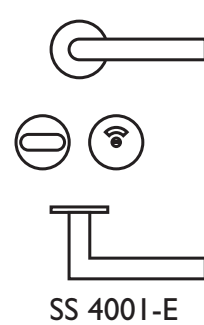
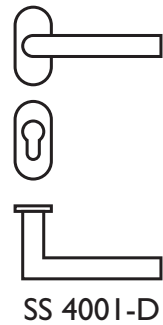
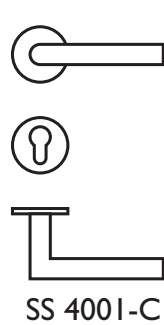
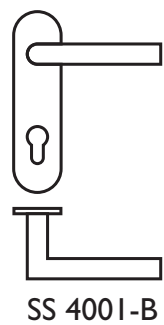
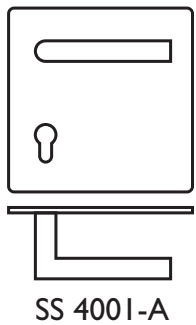
Length	130	140	145
Height	60	65	65
Diameter	16	19	22

Finishes

(SSS)
Satin
Stainless
Steel

(PSS)
Polish
Stainless
Steel

(PVD)
Physical
Vapor
Deposition



Stainless Steel Handles



Livorno®

Stainless Steel Handles

SS 4002



Length	130	140	145
Height	60	65	65
Diameter	16	19	22

Finishes



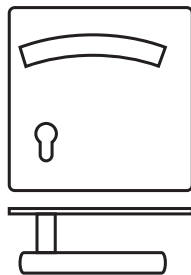
(SSS)
Satin
Stainless
Steel



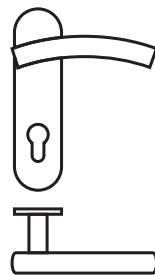
(PSS)
Polish
Stainless
Steel



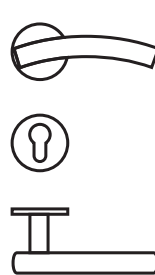
(PVD)
Physical
Vapor
Deposition



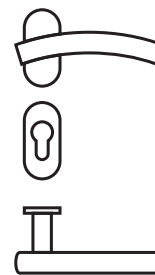
SS 4002-A



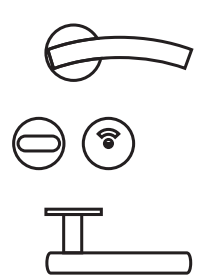
SS 4002-B



SS 4002-C



SS 4002-D



SS 4002-E

Stainless Steel Handles

Livorno®



Stainless Steel Handles

SS 4003



Length	130	140	145
Height	60	65	65
Diameter	16	19	22

Finishes



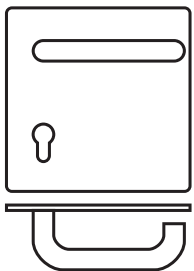
(SSS)
Satin
Stainless
Steel



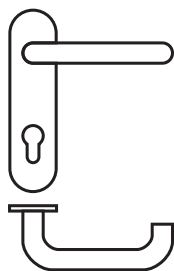
(PSS)
Polish
Stainless
Steel



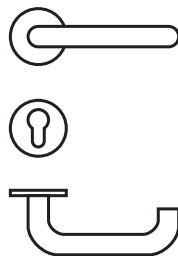
(PVD)
Physical
Vapor
Deposition



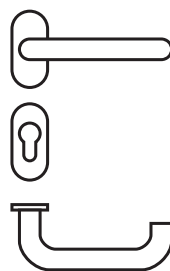
SS 4003-A



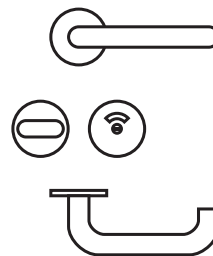
SS 4003-B



SS 4003-C



SS 4003-D



SS 4003-E

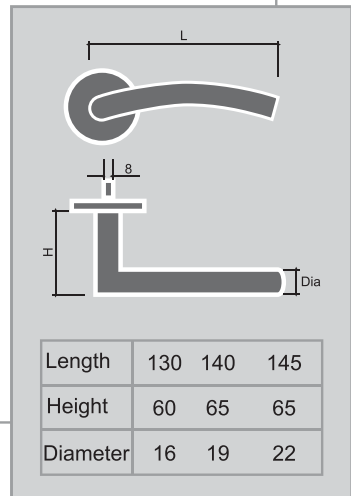
Stainless Steel Handles



Livorno®

Stainless Steel Handles

SS 4004



Finishes



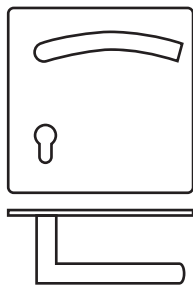
(SSS)
Satin
Stainless
Steel



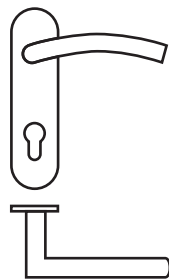
(PSS)
Polish
Stainless
Steel



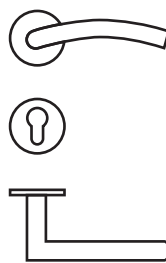
(PVD)
Physical
Vapor
Deposition



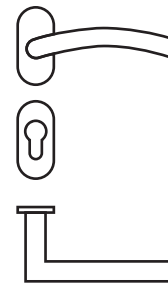
SS 4004-A



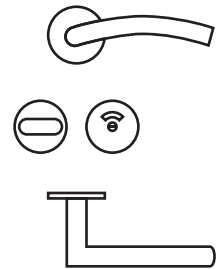
SS 4004-B



SS 4004-C



SS 4004-D



SS 4004-E

Stainless Steel Handles

Livorno®



Stainless Steel Handles


SS 4005



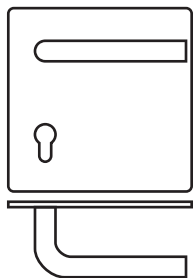
Length	130	140	145
Height	60	65	65
Diameter	16	19	22

Finishes

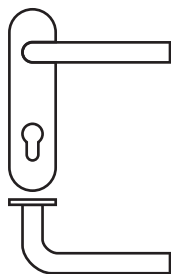
 (SSS)
Satin
Stainless
Steel

 (PSS)
Polish
Stainless
Steel

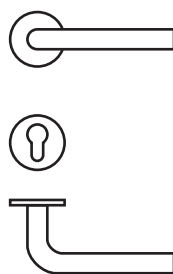
 (PVD)
Physical
Vapor
Deposition



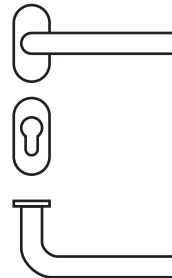
SS 4005-A



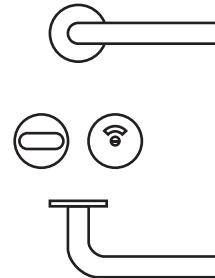
SS 4005-B



SS 4005-C



SS 4005-D



SS 4005-E

Stainless Steel Handles



Livorno®

Stainless Steel Handles

SS 4006



Length	130	140	145
Height	75	75	75
Diameter	16	19	22

Finishes



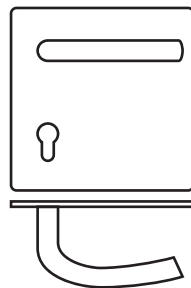
(SSS)
Satin
Stainless
Steel



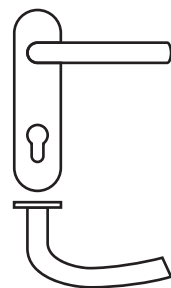
(PSS)
Polish
Stainless
Steel



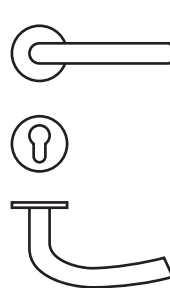
(PVD)
Physical
Vapor
Deposition



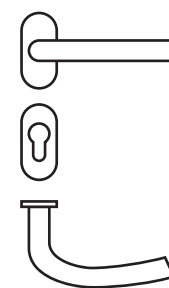
SS 4006-A



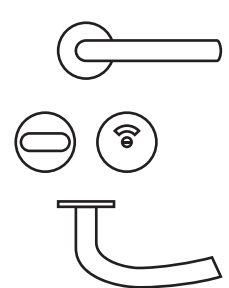
SS 4006-B



SS 4006-C



SS 4006-D



SS 4006-E

Stainless Steel Handles

Livorno®



Stainless Steel Handles

SS 4007



Length	130	140	145
Height	60	65	65
Diameter	16	19	22

Finishes



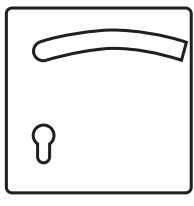
(SSS)
Satin
Stainless
Steel



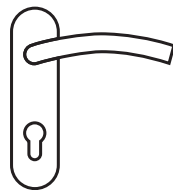
(PSS)
Polish
Stainless
Steel



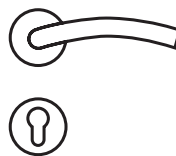
(PVD)
Physical
Vapor
Deposition



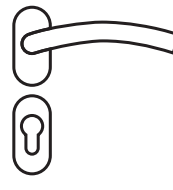
SS 4007-A



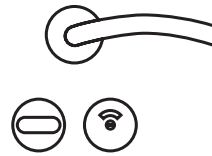
SS 4007-B



SS 4007-C



SS 4007-D



SS 4007-E

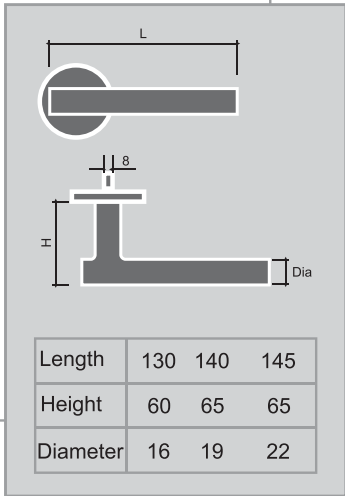
Stainless Steel Handles



Livorno®

Stainless Steel Handles

SS 4008



Finishes



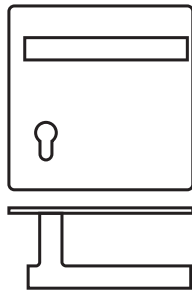
(SSS)
Satin
Stainless
Steel



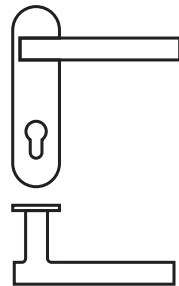
(PSS)
Polish
Stainless
Steel



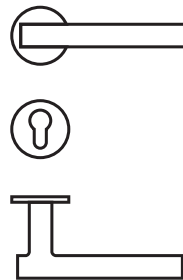
(PVD)
Physical
Vapor
Deposition



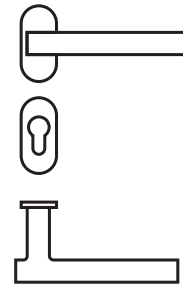
SS 4008-A



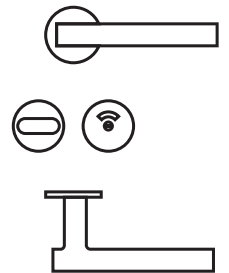
SS 4008-B



SS 4008-C



SS 4008-D



SS 4008-E



Stainless Steel Handles

Livorno®



Stainless Steel Handles

SS 4009



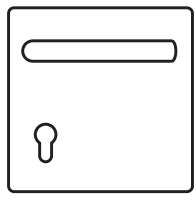
Length	130	140	145
Height	60	65	65
Diameter	16	19	22

Finishes

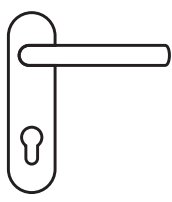
(SSS)
Satin
Stainless
Steel

(PSS)
Polish
Stainless
Steel

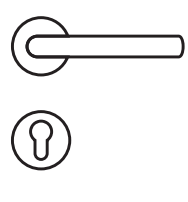
(PVD)
Physical
Vapor
Deposition



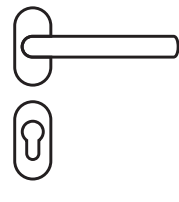
SS 4009-A



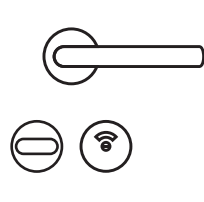
SS 4009-B



SS 4009-C



SS 4009-D



SS 4009-E

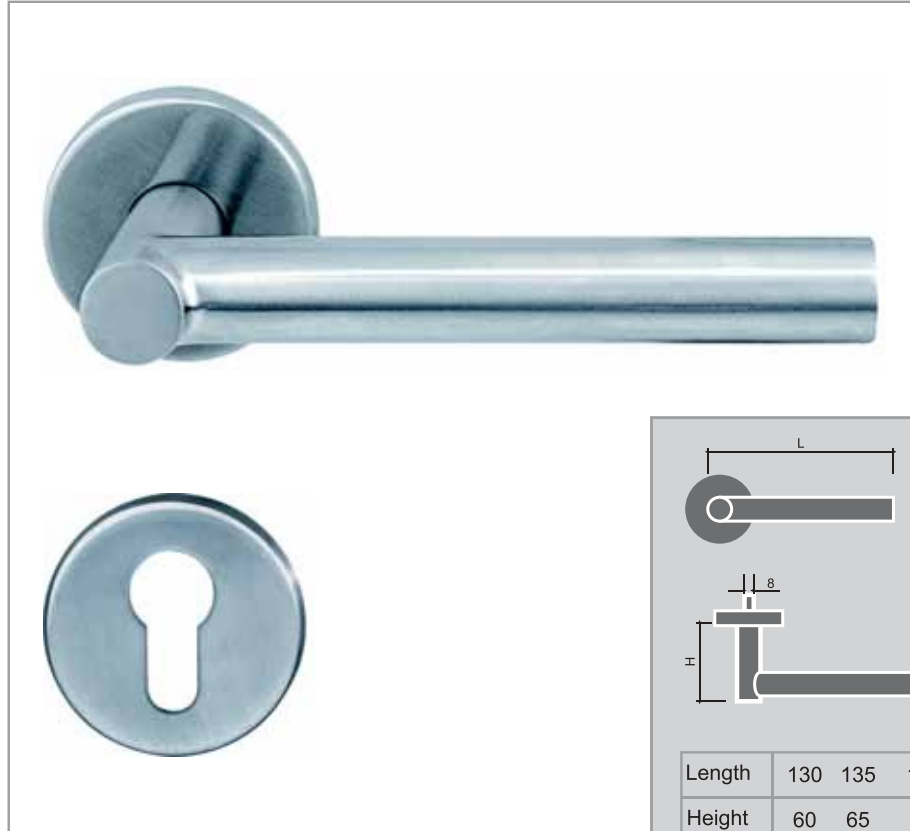
Stainless Steel Handles



Livorno®

Stainless Steel Handles

SS 4010



Length	130	135	140
Height	60	65	65
Diameter	16	19	22

Finishes



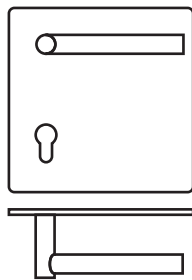
(SSS)
Satin
Stainless
Steel



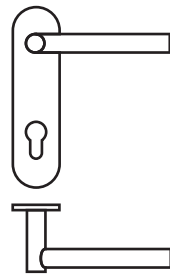
(PSS)
Polish
Stainless
Steel



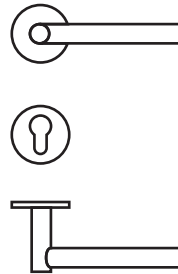
(PVD)
Physical
Vapor
Deposition



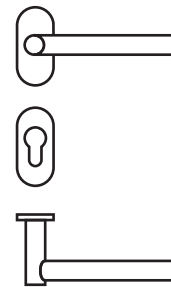
SS 4010-A



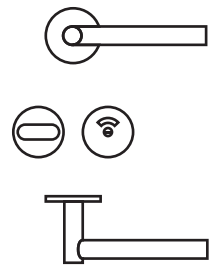
SS 4010-B



SS 4010-C



SS 4010-D



SS 4010-E



Stainless Steel Handles

Livorno®



Stainless Steel Handles


SS 4011



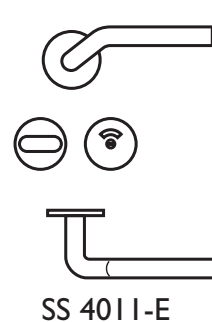
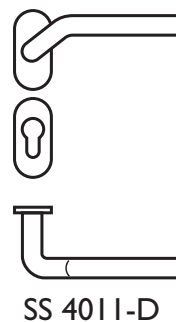
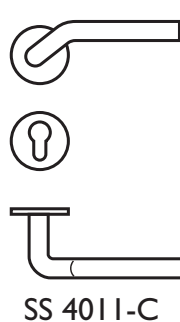
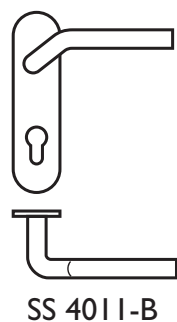
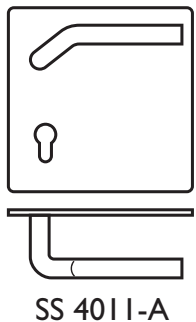
Length	130	140	145
Height	60	65	65
Diameter	16	19	22

Finishes

 (SSS)
Satin
Stainless
Steel

 (PSS)
Polish
Stainless
Steel

 (PVD)
Physical
Vapor
Deposition



Stainless Steel Handles



Livorno®

Stainless Steel Handles

SS 4012



Length	130	140	145
Height	60	65	65
Diameter	16	19	22

Finishes



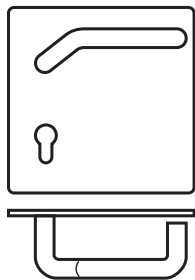
(SSS)
Satin
Stainless
Steel



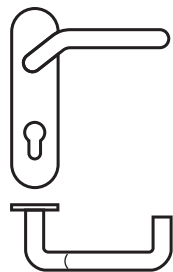
(PSS)
Polish
Stainless
Steel



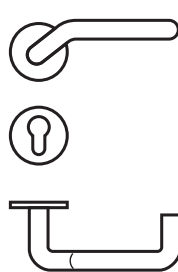
(PVD)
Physical
Vapor
Deposition



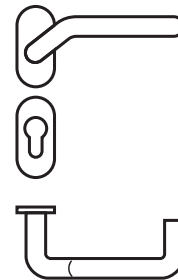
SS 4012-A



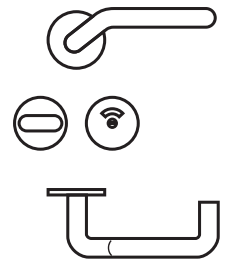
SS 4012-B



SS 4012-C



SS 4012-D



SS 4012-E



Stainless Steel Handles

Livorno®



Stainless Steel Handles


SS 4013



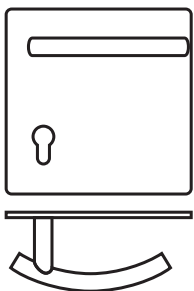
Length	130	140	145
Height	60	65	65
Diameter	16	19	22

Finishes

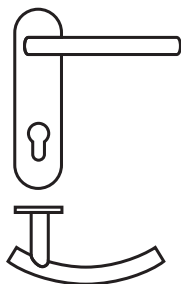
 (SSS)
Satin
Stainless
Steel

 (PSS)
Polish
Stainless
Steel

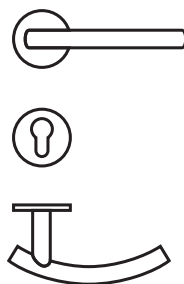
 (PVD)
Physical
Vapor
Deposition



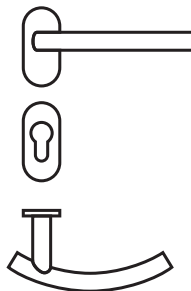
SS 4013-A



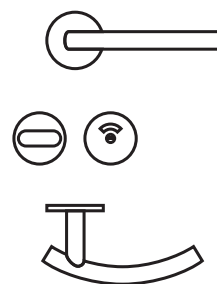
SS 4013-B



SS 4013-C



SS 4013-D



SS 4013-E

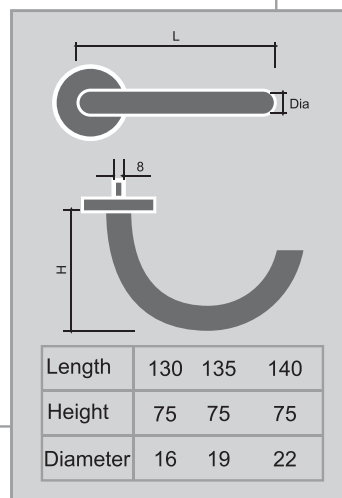
Stainless Steel Handles



Livorno®

Stainless Steel Handles

SS 4014



Finishes



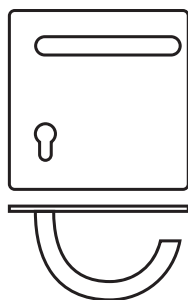
(SSS)
Satin
Stainless
Steel



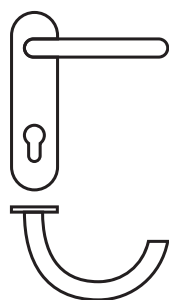
(PSS)
Polish
Stainless
Steel



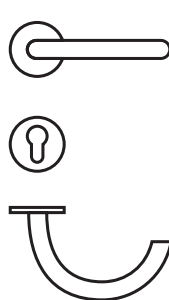
(PVD)
Physical
Vapor
Deposition



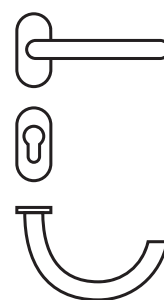
SS 4014-A



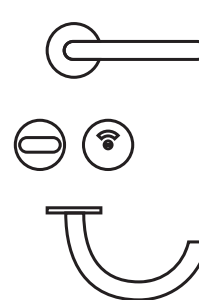
SS 4014-B



SS 4014-C



SS 4014-D



SS 4014-E

Stainless Steel Handles

Livorno®



Stainless Steel Handles


SS 4015



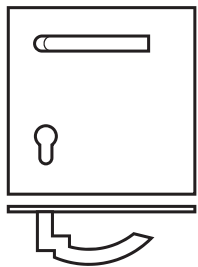
Length	130	135	140
Height	75	75	75
Diameter	16	19	22

Finishes

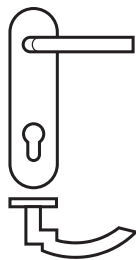
 (SSS)
Satin
Stainless
Steel

 (PSS)
Polish
Stainless
Steel

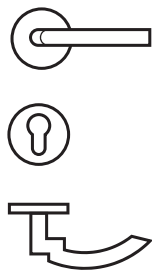
 (PVD)
Physical
Vapor
Deposition



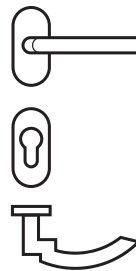
SS 4015-A



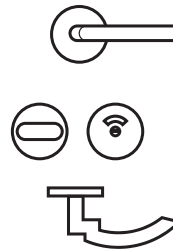
SS 4015-B



SS 4015-C



SS 4015-D



SS 4015-E

Stainless Steel Handles



Livorno®

Stainless Steel Handles

SS 4016



Length	130	140	145
Height	60	65	65
Diameter	16	19	22

Finishes



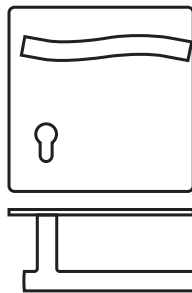
(SSS)
Satin
Stainless
Steel



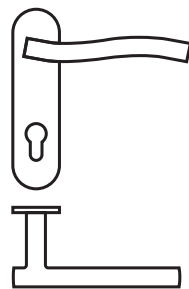
(PSS)
Polish
Stainless
Steel



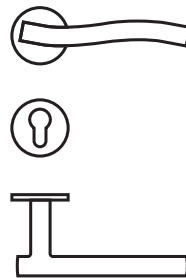
(PVD)
Physical
Vapor
Deposition



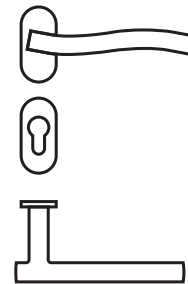
SS 4016-A



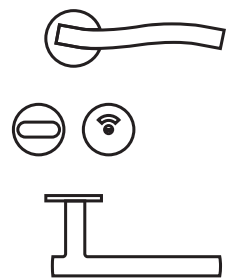
SS 4016-B



SS 4016-C



SS 4016-D



SS 4016-E



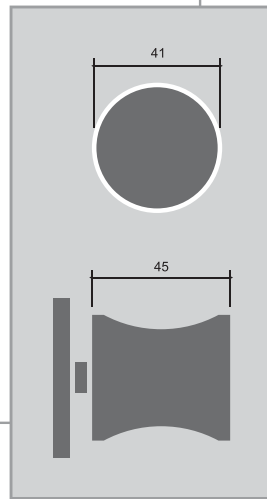
Stainless Steel Handles

Livorno®

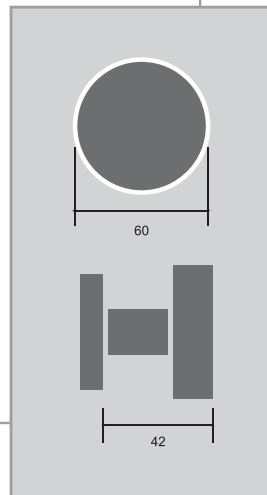
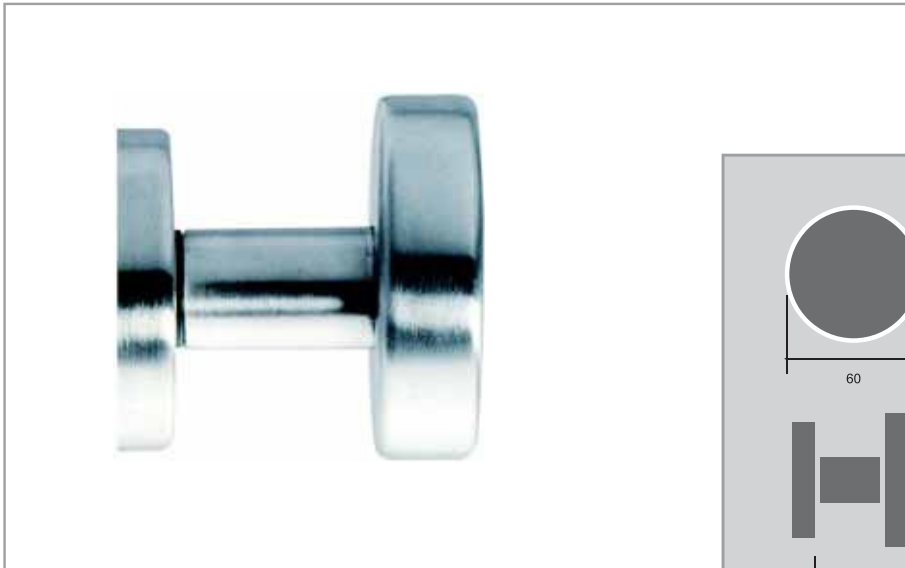


Stainless Steel Handles

SS 5011



SS 3011



Finishes



(SSS)
Satin
Stainless
Steel



(PSS)
Polish
Stainless
Steel



(PVD)
Physical
Vapor
Deposition



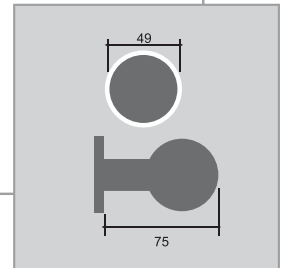
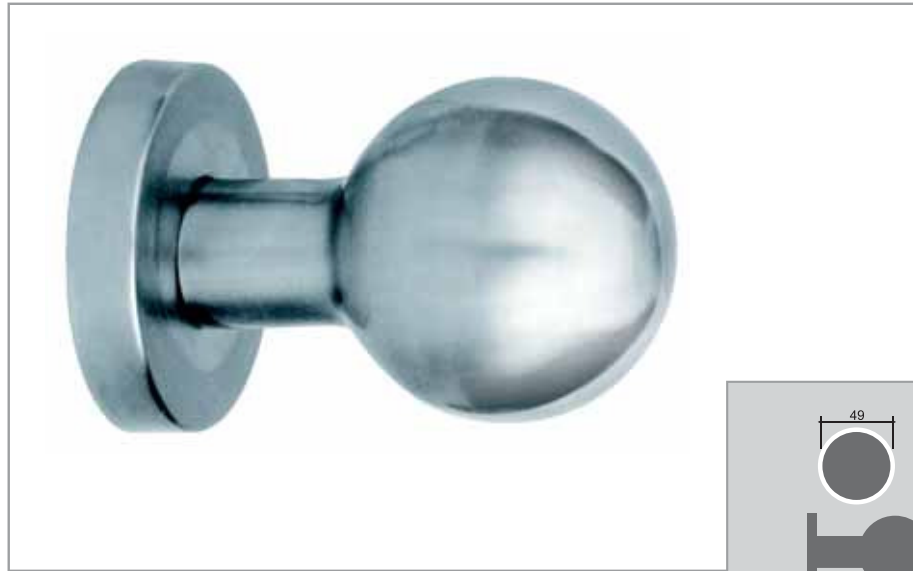
Stainless Steel Handles



Livorno®

Stainless Steel Handles

SS 6011



Finishes



(SSS)
Satin
Stainless
Steel



(PSS)
Polish
Stainless
Steel



(PVD)
Physical
Vapor
Deposition



A

Solid Stainless Steel



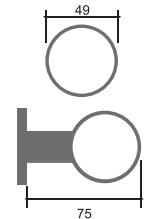
B

Solid Stainless Steel



C

Hollow Stainless Steel



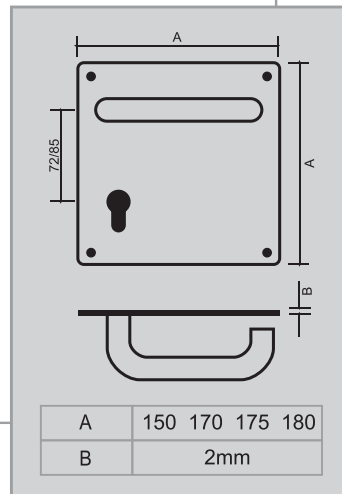
Stainless Steel Handles

Livorno®

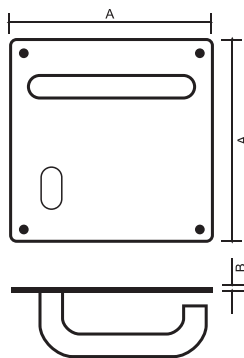


Stainless Steel Handles

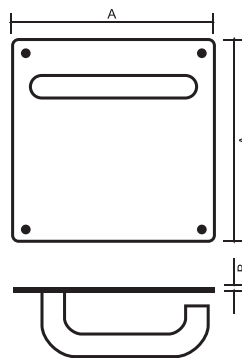
I7021A



with euro profile keyhole



I7021-B
With oval keyhole



I7021-C
With blank plate

Finishes

(SSS)
Satin
Stainless
Steel

(PSS)
Polish
Stainless
Steel

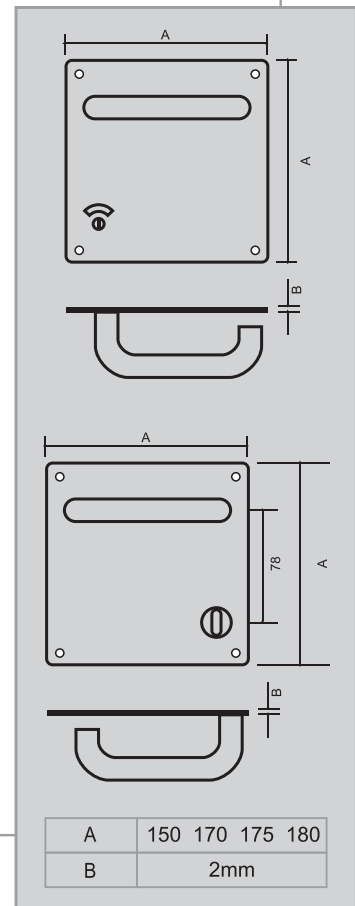
Stainless Steel Handles



Livorno®

Stainless Steel Handles

I7021-WC



With thumb turn and emergency release

Finishes



(SSS)
Satin
Stainless
Steel



(PSS)
Polish
Stainless
Steel



Stainless Steel Handles

Livorno®



Stainless Steel Handles

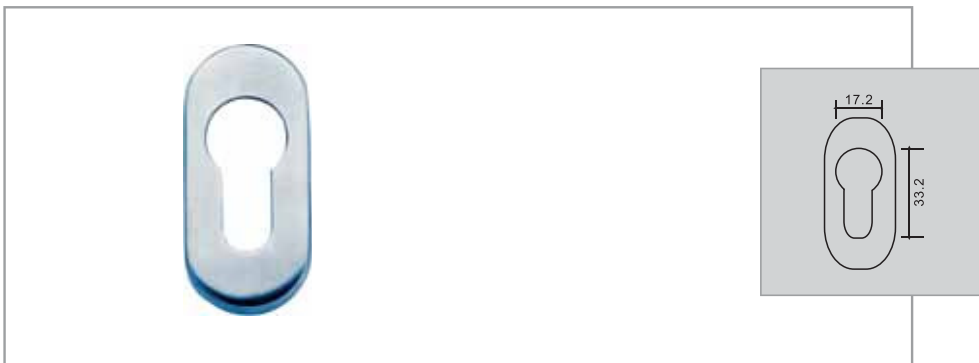
ECS-1



ECS-2



ECS-3



Finishes



(SSS)
Satin
Stainless
Steel



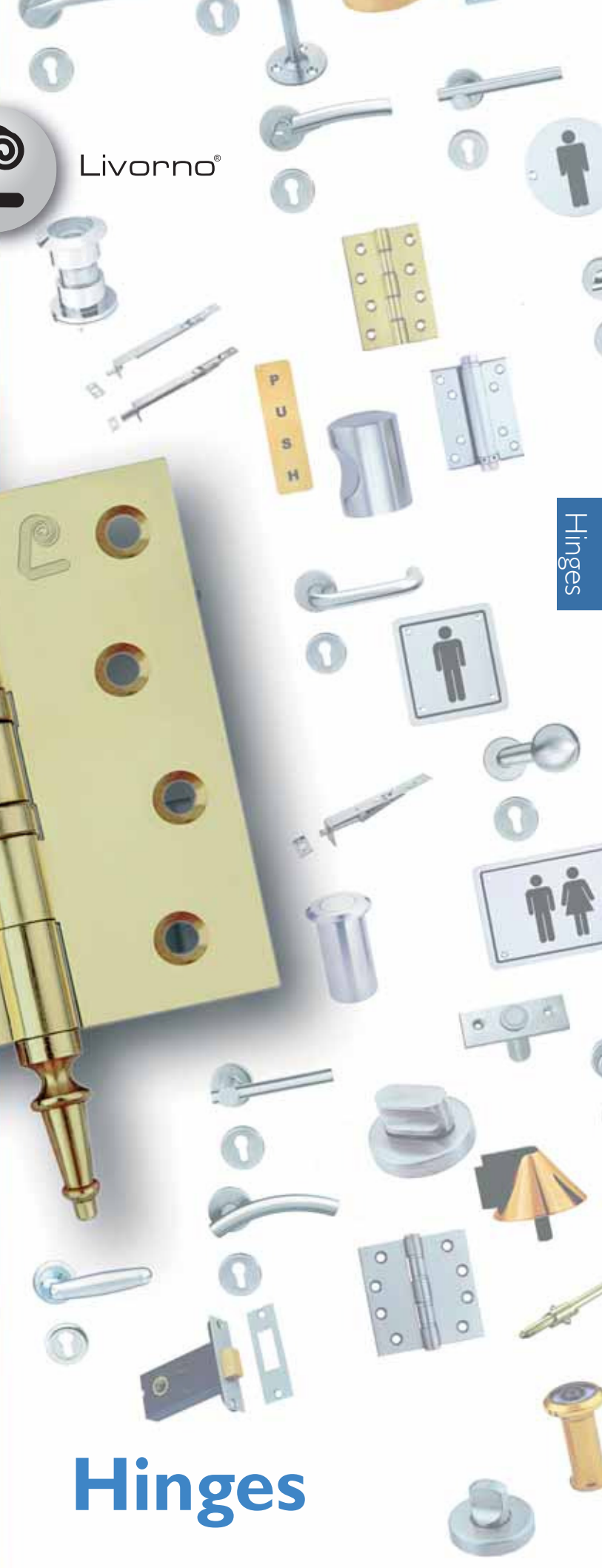
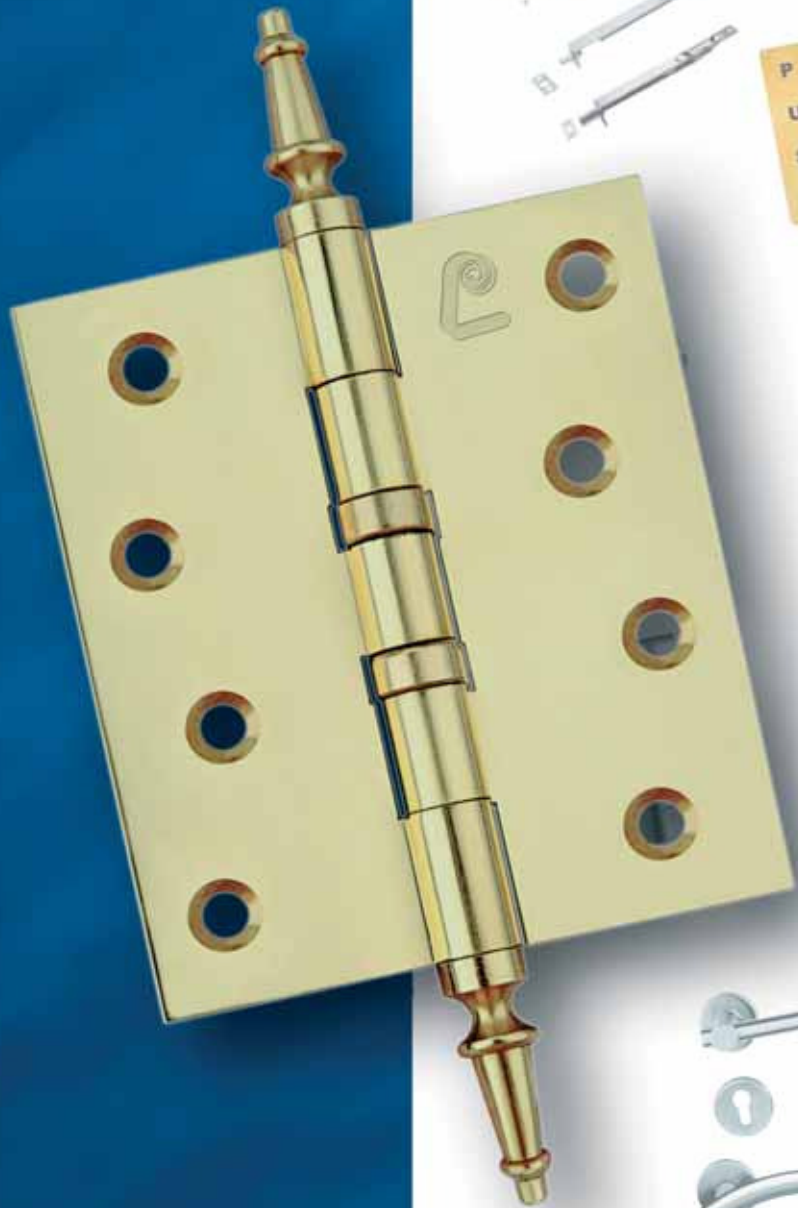
(PSS)
Polish
Stainless
Steel



(PVD)
Physical
Vapor
Deposition



Livorno®

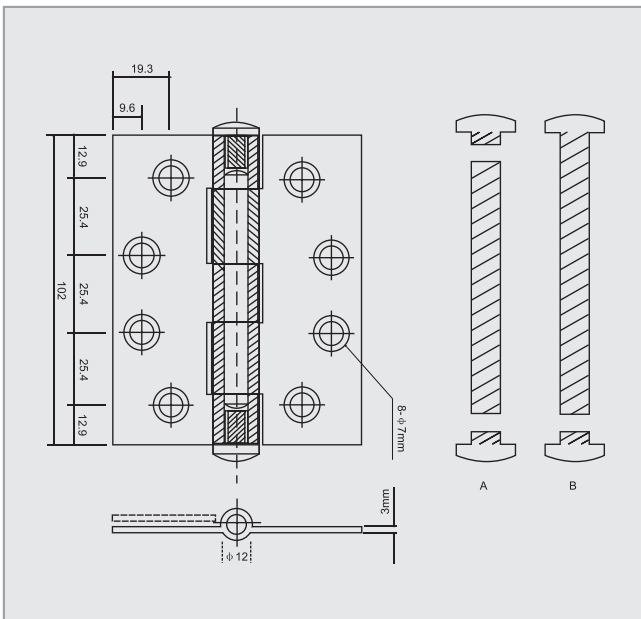


Hinges

Hinges



HSS 403030



MODEL NO.	DIMENSION (HxWxT)
HSS 403020	4.0" x 3.0" x 2.0 mm
HSS 403025	4.0" x 3.0" x 2.5 mm
HSS 353530	3.5" x 3.5" x 3.0 mm
HSS 403030	4.0" x 3.0" x 3.0 mm
HSS 403530	4.0" x 3.5" x 3.0 mm
HSS 404030	4.0" x 4.0" x 3.0 mm
HSS 503530	5.0" x 3.5" x 3.0 mm
HSS 604040	6.0" x 4.0" x 4.0 mm

HINGE THICKNESS	KG's PER DOOR
2.0 mm	25 ~ 40
2.5 mm	40 ~ 60
3.0 mm	60 ~ 80
3.5 mm	80 ~ 120
4.0 mm	120 ~ 150

Recommendation: 3 Pieces per door

Finishes

(SSS) Satin Stainless Steel

(PSS) Polish Stainless Steel

(AB) Antique Brass Plated

(BP) Brass Plated



Livorno®

Finishes



(SSS)
Satin
Stainless
Steel



(PSS)
Polish
Stainless
Steel



(AB)
Antique
Brass
Plated



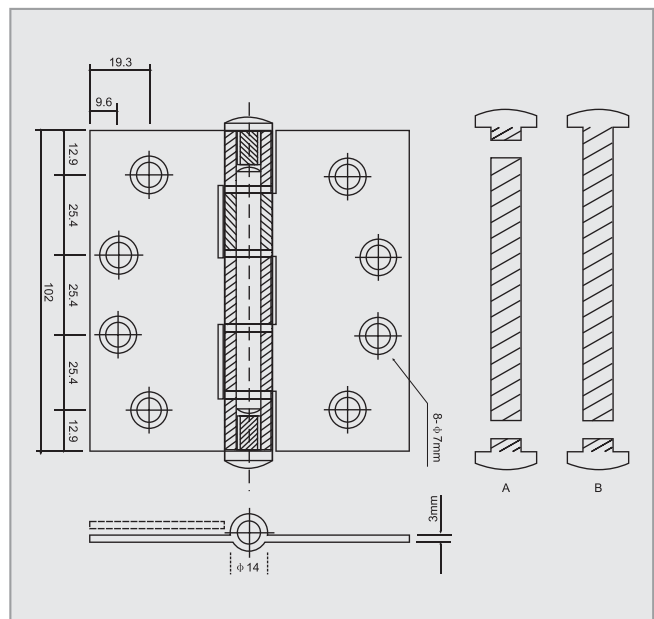
(BP)
Brass
Plated

MODEL NO.	DIMENSION (HxWxT)
HSS 403020-SSW	4.0" x 3.0" x 2.0 mm
HSS 404020-SSW	4.0" x 4.0" x 2.0 mm
HSS 353525-SSW	3.5" x 3.5" x 2.5 mm
HSS 403025-SSW	4.0" x 3.0" x 2.5 mm
HSS 404025-SSW	4.0" x 4.0" x 2.5 mm
HSS 403030-SSW	4.0" x 3.0" x 3.0 mm
HSS 403530-SSW	4.0" x 3.5" x 3.0 mm
HSS 404030-SSW	4.0" x 4.0" x 3.0 mm
HSS 454030-SSW	4.5" x 4.0" x 3.0 mm
HSS 454530-SSW	4.5" x 4.5" x 3.0 mm
HSS 504030-SSW	5.0" x 4.0" x 3.0 mm

HINGE THICKNESS	KG's PER DOOR
2.0 mm	25 ~ 40
2.5 mm	40 ~ 60
3.0 mm	60 ~ 80

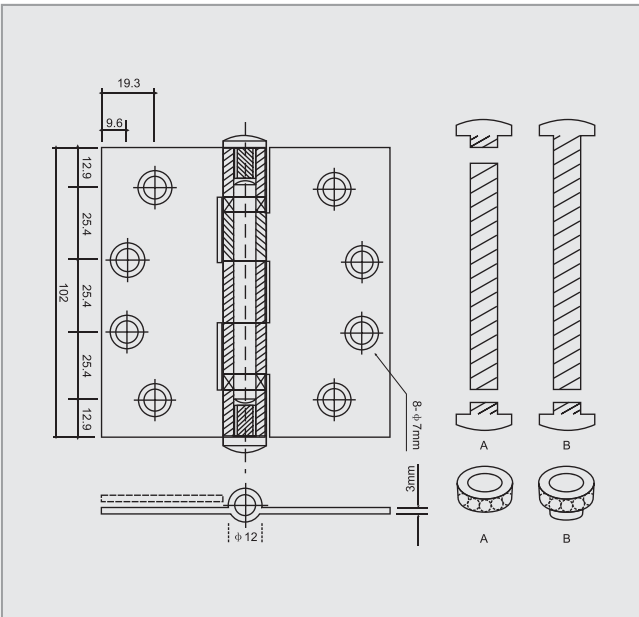
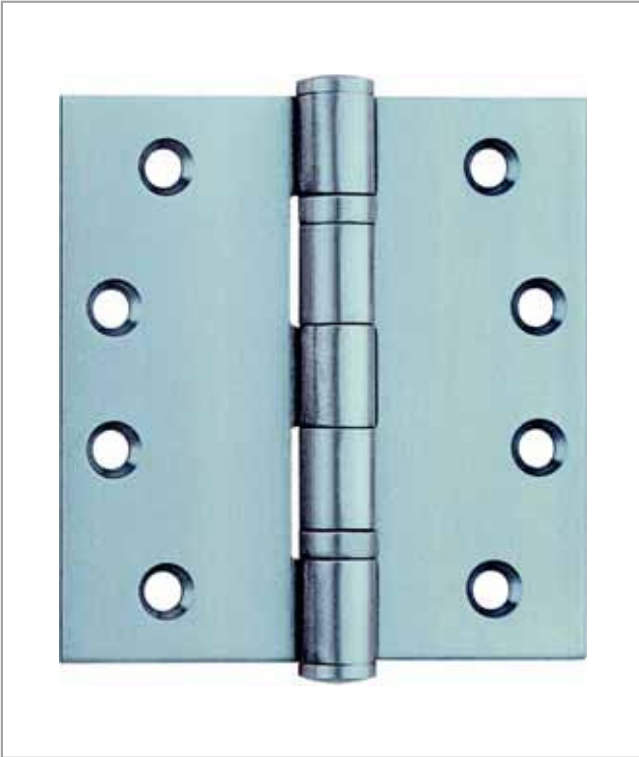
Recommendation: 3 Pieces per door

HSS 403030-SSW





HSS 403030-2BB



MODEL NO.	DIMENSION (Hx WxT)
HSS 302020-2BB	3.0" x 2.0" x 2.0 mm
HSS 302520-2BB	3.0" x 2.5" x 2.0 mm
HSS 303020-2BB	3.0" x 3.0" x 2.0 mm
HSS 403020-2BB	4.0" x 3.0" x 2.0 mm
HSS 403025-2BB	4.0" x 3.0" x 2.5 mm
HSS 403030-2BB	4.0" x 3.0" x 3.0 mm
HSS 403530-2BB	4.0" x 3.5" x 3.0 mm
HSS 404030-2BB	4.0" x 4.0" x 3.0 mm
HSS 454030-2BB	4.5" x 4.0" x 3.0 mm
HSS 454530-2BB	4.5" x 4.5" x 3.0 mm
HSS 503530-2BB	5.0" x 3.5" x 3.0 mm
HSS 504030-2BB	5.0" x 4.0" x 3.0 mm
HSS 604030-2BB	6.0" x 4.0" x 3.0 mm
HSS 454040-2BB	4.5" x 4.0" x 4.0 mm
HSS 454540-2BB	4.5" x 4.5" x 4.0 mm
HSS 504040-2BB	5.0" x 4.0" x 4.0 mm
HSS 604040-2BB	6.0" x 4.0" x 4.0 mm

Available also in Steel Material
Finishes : CP, SN, BP, AB

HINGE THICKNESS	KG's PER DOOR
2.0 mm	25 ~ 40
2.5 mm	40 ~ 60
3.0 mm	60 ~ 80
3.5 mm	80 ~ 120
4.0 mm	120 ~ 150

Recommendation: 3 Pieces per door

Finishes

(SSS)
Satin
Stainless
Steel

(PSS)
Polish
Stainless
Steel

(AB)
Antique
Brass
Plated

(BP)
Brass
Plated



Livorno®

Finishes



(SSS)
Satin
Stainless
Steel



(PSS)
Polish
Stainless
Steel



(AB)
Antique
Brass
Plated



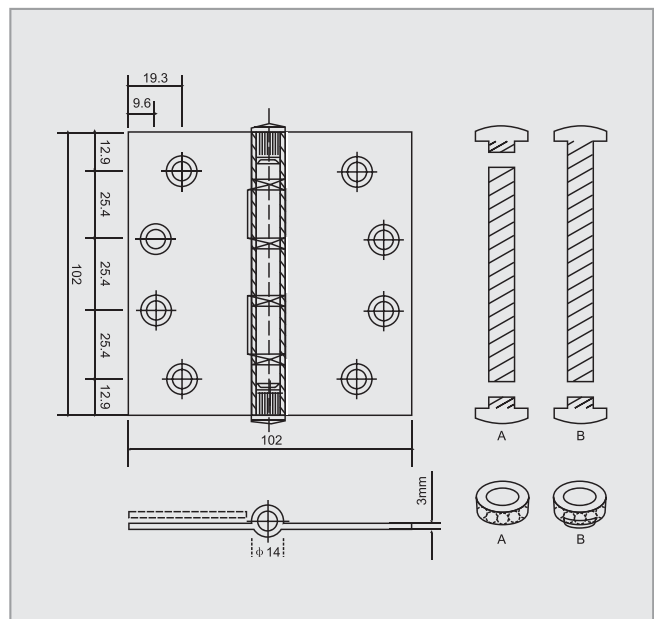
(BP)
Brass
Plated

MODEL NO.	DIMENSION (HxWxT)
HSS 303020-4BB	3.0" x 3.0" x 2.0 mm
HSS 403030-4BB	4.0" x 3.0" x 3.0 mm
HSS 403530-4BB	4.0" x 3.5" x 3.0 mm
HSS 404030-4BB	4.0" x 4.0" x 3.0 mm
HSS 454030-4BB	4.5" x 4.0" x 3.0 mm
HSS 454530-4BB	4.5" x 4.5" x 3.0 mm
HSS 404040-4BB	4.0" x 4.0" x 4.0 mm
HSS 454040-4BB	4.5" x 4.0" x 4.0 mm
HSS 454540-4BB	4.5" x 4.5" x 4.0 mm
HSS 504040-4BB	5.0" x 4.0" x 4.0 mm
HSS 505040-4BB	5.0" x 5.0" x 4.0 mm
HSS 604040-4BB	6.0" x 4.0" x 4.0 mm

HINGE THICKNESS	KG's PER DOOR
2.0 mm	25 ~ 40
2.5 mm	40 ~ 60
3.0 mm	60 ~ 80
3.5 mm	80 ~ 120
4.0 mm	120 ~ 150

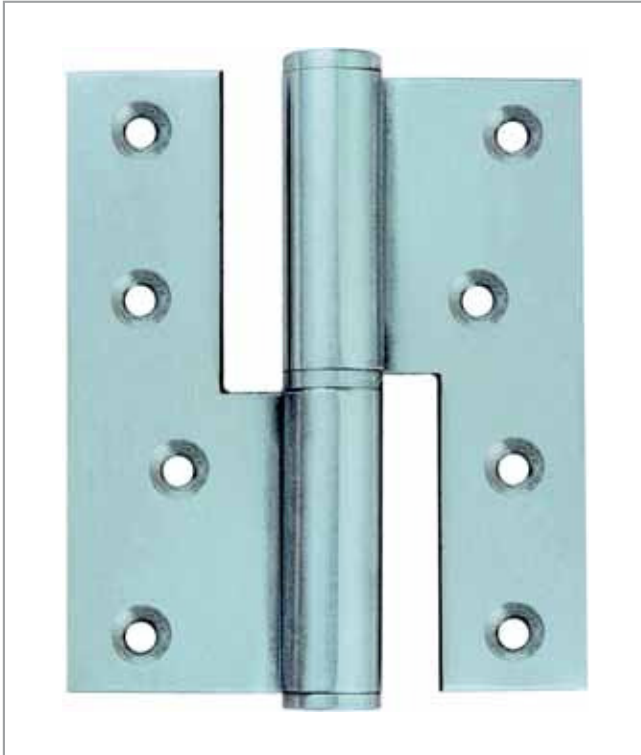
Recommendation: 3 Pieces per door

HSS 404030-4BB





HSS 403530-SSW/R



MODEL NO.	DIMENSION (HxWxT)
HSS 352825-SSW/R	9.0 x 70 x 2.5 mm
HSS 403525-SSW/R	3.0" x 3.5" x 2.5 mm
HSS 403530-SSW/R	4.0" x 3.5" x 3.0 mm
HSS 553430-SSW/R	140 x 85 x 3.0 mm

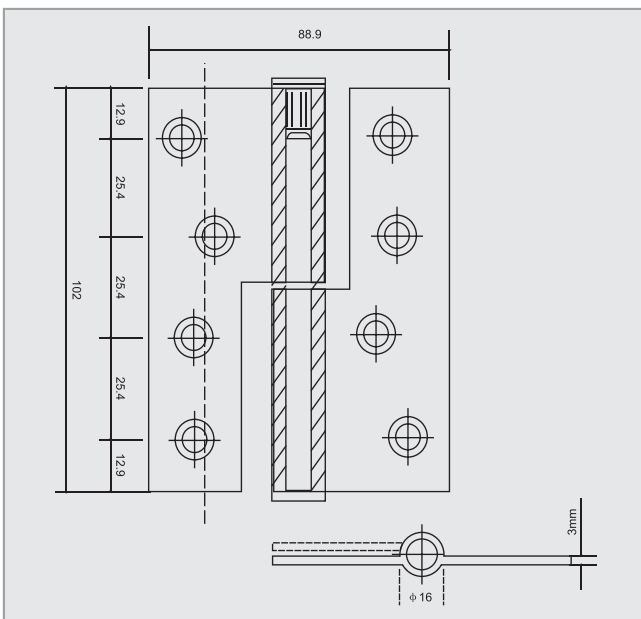
Finishes

(SSS)
Satin
Stainless
Steel

(PSS)
Polish
Stainless
Steel

(AB)
Antique
Brass
Plated

(BP)
Brass
Plated



HINGE THICKNESS	KG's PER DOOR
2.5 mm	40 ~ 60
3.0 mm	60 ~ 80

Recommendation: 3 Pieces per door



Livorno®

HSS 404030-R

MODEL NO.	DIMENSION (HxWxT)
HSS 403020-R	4.0" x 3.0" x 2.0 mm
HSS 403025-R	4.0" x 3.0" x 2.5 mm
HSS 403030-R	4.0" x 3.0" x 3.0 mm

Same size are available for (L)



Finishes



(SSS)
Satin
Stainless
Steel



(PSS)
Polish
Stainless
Steel



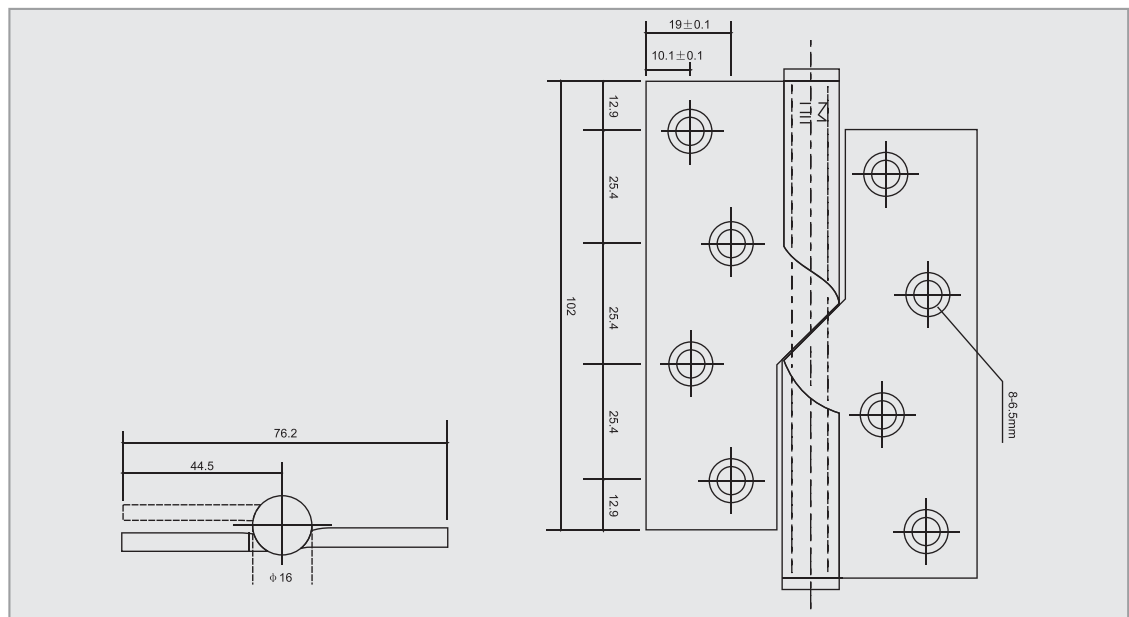
(AB)
Antique
Brass
Plated



(BP)
Brass
Plated

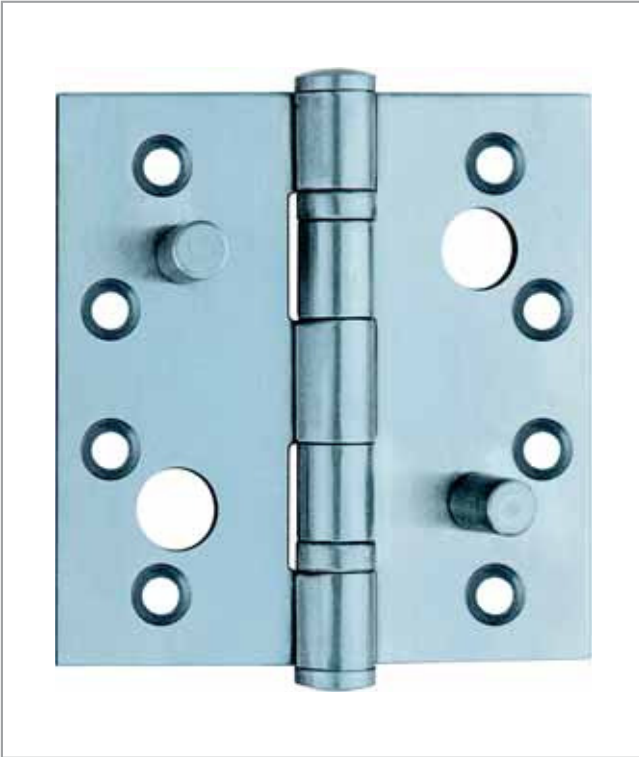
HINGE THICKNESS	KG's PER DOOR
2.0 mm	25 ~ 40
2.5 mm	40 ~ 60
3.0 mm	60 ~ 80

Recommendation: 3 Pieces per door





HSS 404030-SEC



MODEL NO.	DIMENSION (HxWxT)
HSS 403025-SEC	4.0" x 3.0" x 2.5 mm
HSS 403030-SEC	4.0" x 3.0" x 3.0 mm
HSS 404030-SEC	4.0" x 4.0" x 3.0 mm
HSS 503530-SEC	5.0" x 3.5" x 3.0 mm

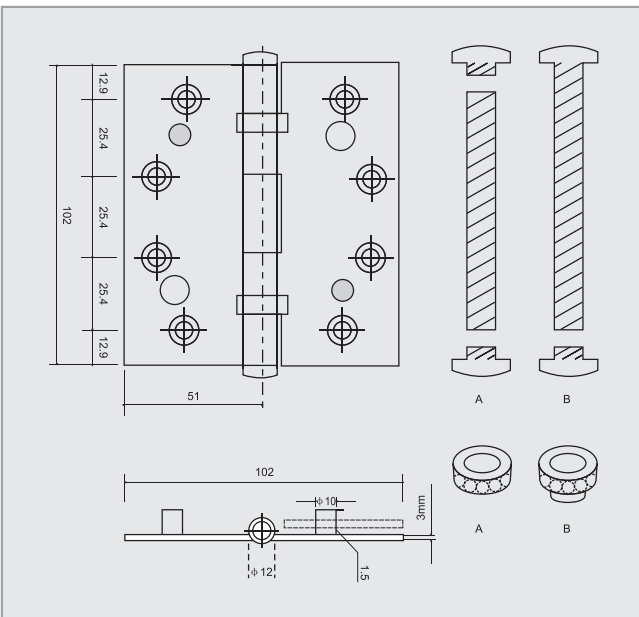
Finishes

(SSS)
Satin
Stainless
Steel

(PSS)
Polish
Stainless
Steel

(AB)
Antique
Brass
Plated

(BP)
Brass
Plated



HINGE THICKNESS	KG's PER DOOR
2.5 mm	40 ~ 60
3.0 mm	60 ~ 80

Recommendation: 3 Pieces per door



Livorno®

MODEL NO.	DIMENSION (HxWxT)
HSS 353030-C	3.5" x 3.0" x 3.0 mm
HSS 403030-C	4.0" x 3.0" x 3.0 mm

HSS 403030-C



Hinges

Finishes



(SSS)
Satin
Stainless
Steel



(PSS)
Polish
Stainless
Steel



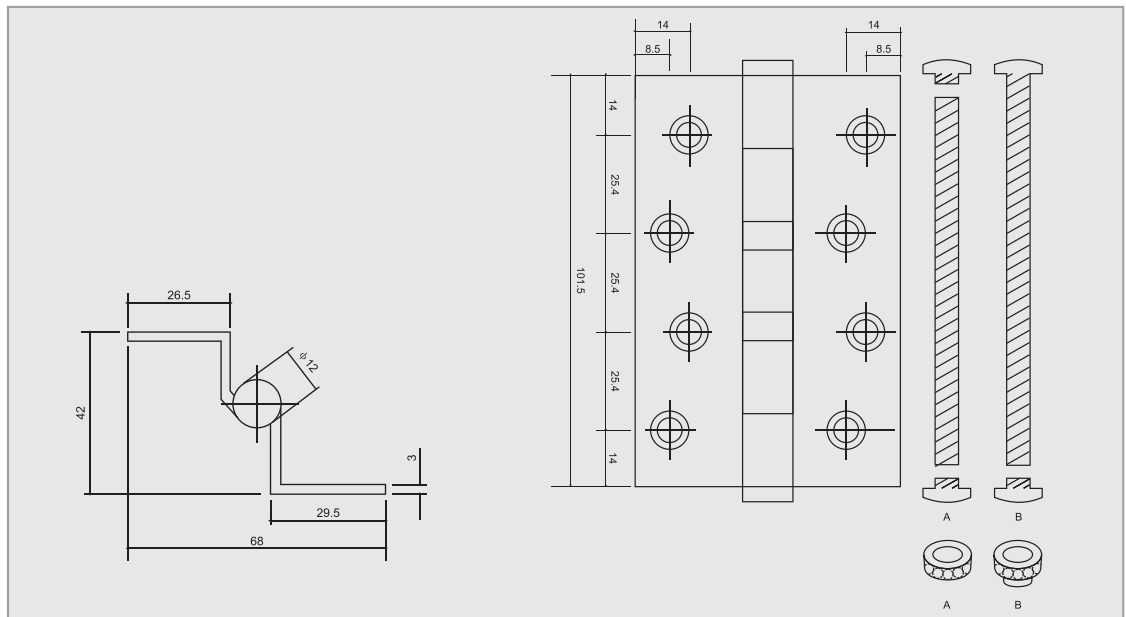
(AB)
Antique
Brass
Plated



(BP)
Brass
Plated

HINGE THICKNESS	KG's PER DOOR
3.0 mm	60 ~ 80

Recommendation: 3 Pieces per door





HSS 404030-SA



MODEL NO.	DIMENSION (HxWxT)
HSS 403030-SA	4.0" x 3.0" x 3.0 mm
HSS 404030-SA	4.0" x 4.0" x 3.0 mm

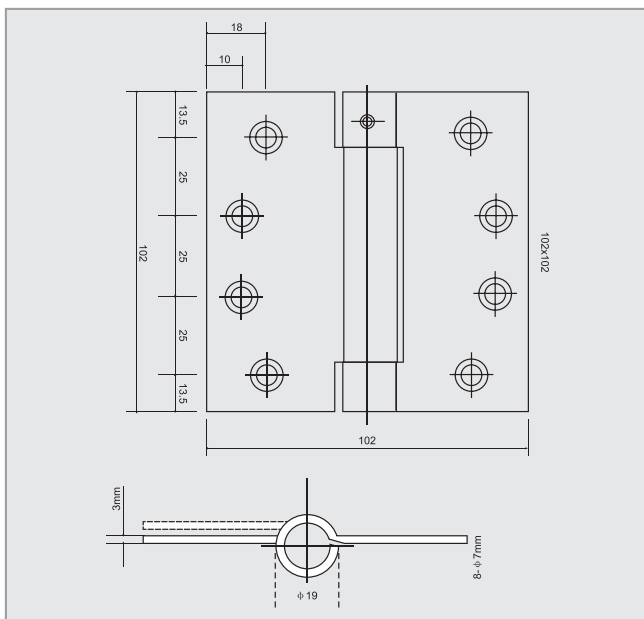
Finishes

(SSS)
Satin
Stainless
Steel

(PSS)
Polish
Stainless
Steel

(AB)
Antique
Brass
Plated

(BP)
Brass
Plated



HINGE THICKNESS	KG's PER DOOR
3.0 mm	60 ~ 80



Livorno®

HSS 4"-DA

Finishes



(SSS)
Satin
Stainless
Steel



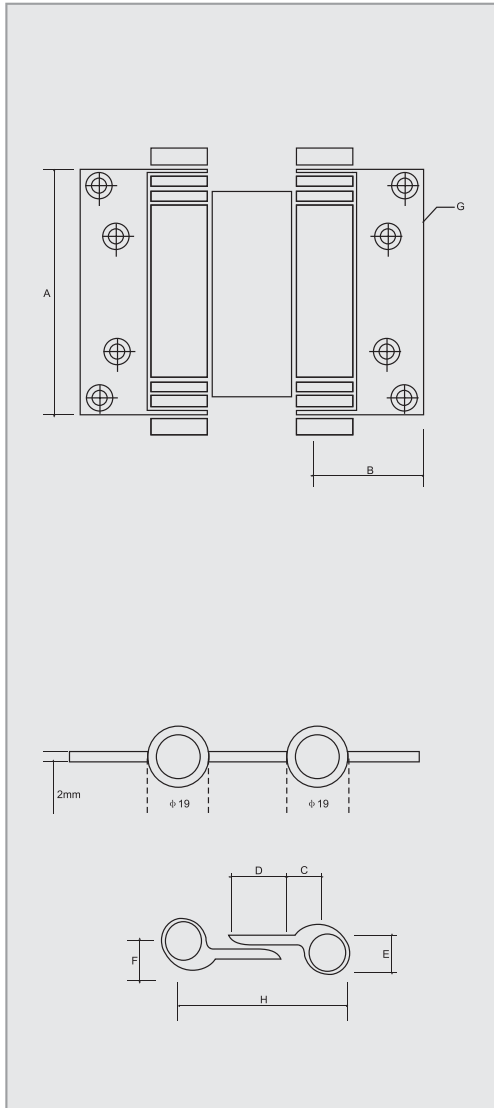
(PSS)
Polish
Stainless
Steel



(AB)
Antique
Brass
Plated



(BP)
Brass
Plated



Hinges

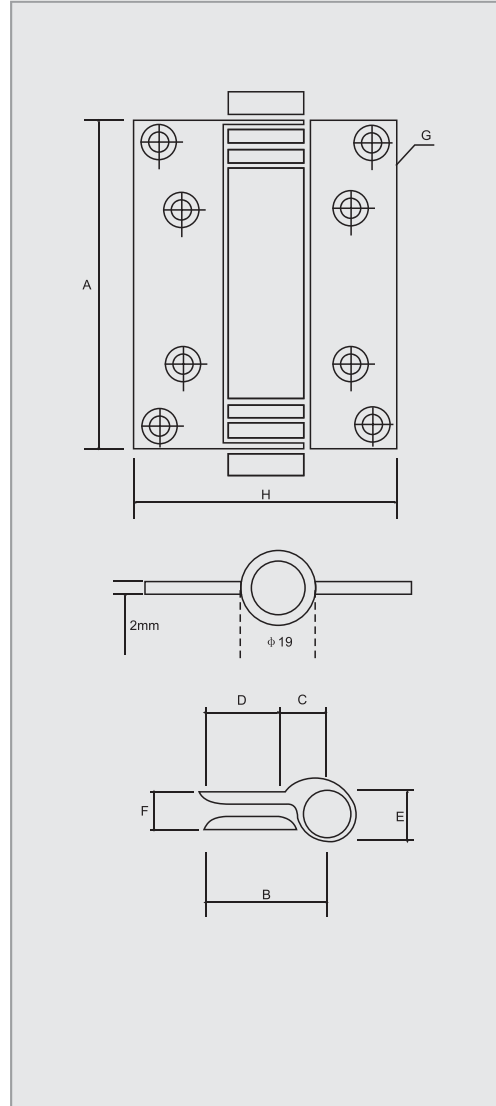
MODEL NO.	DIMENSION							
	(A)	B	C	D	E	F	G	H)
HSS 4"-DA	102(4")	40	16.5	23.5	25	16.3	5	54.5
HSS 5"-DA	127(5")	47.5	15.5	32	25	17.5	5.5	64
HSS 6"-DA	153(6")	51.5	16.5	35	25	17.5	5.5	70.5

HINGE THICKNESS	KG's PER DOOR
2.0 mm	25 ~ 40

Recommendation: 3 Pieces per door



HSS 4"-SA



Finishes

(SSS)
Satin
Stainless
Steel

(PSS)
Polish
Stainless
Steel

(AB)
Antique
Brass
Patled

(BP)
Brass
Plated

HINGE THICKNESS	KG's PER DOOR
2.0 mm	25 ~ 40

Recommendation: 3 Pieces per door

MODEL NO.	DIMENSION							
	(A)	B	C	D	E	F	G	H)
HSS 4"-SA	102(4")	40	16.5	23.5	24	12.5	5.5	77
HSS 5"-SA	127(5")	47.5	15.5	32	24	13.5	5.5	90
HSS 6"-SA	153(6")	51.5	16.5	35	24	14	5.5	104



Livorno®

HZA 07-C

Finishes



(SN)
Satin
Nickel



(BP)
Brass
Plated



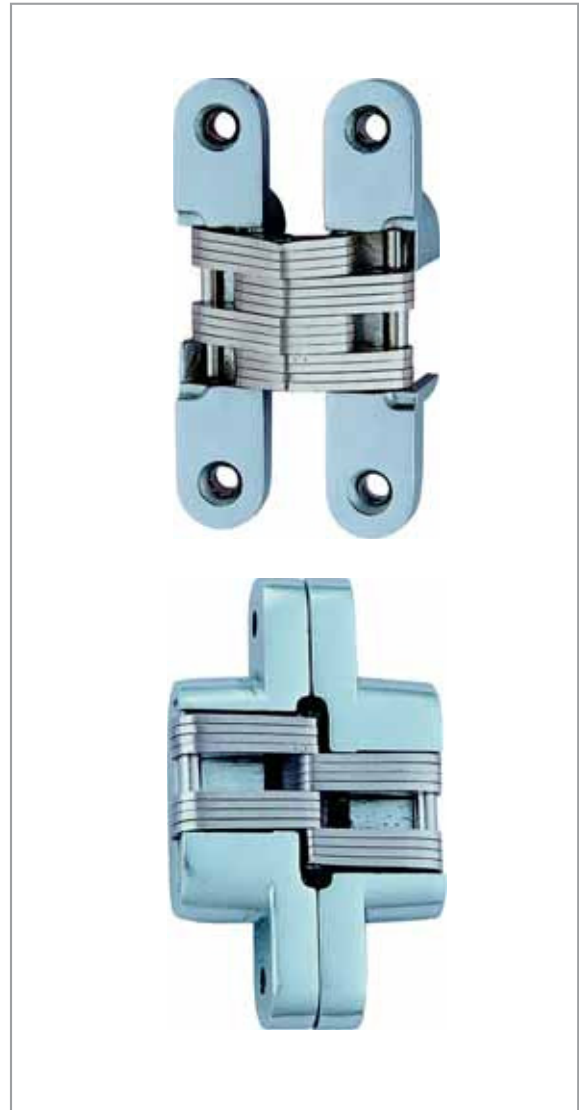
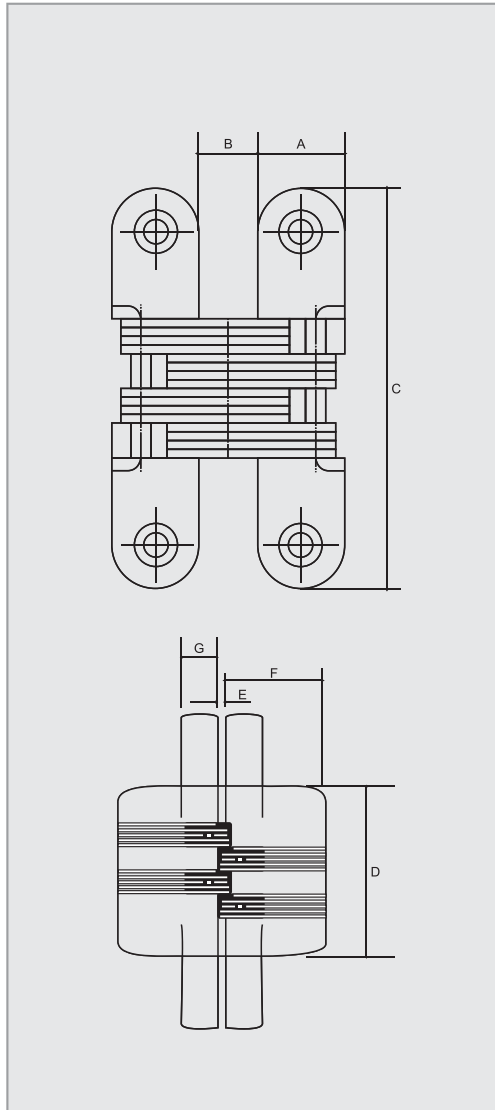
(GP)
Gold
Plated



(AB)
Antique
Brass
Plated



(AC)
Antique
Copper
Plated

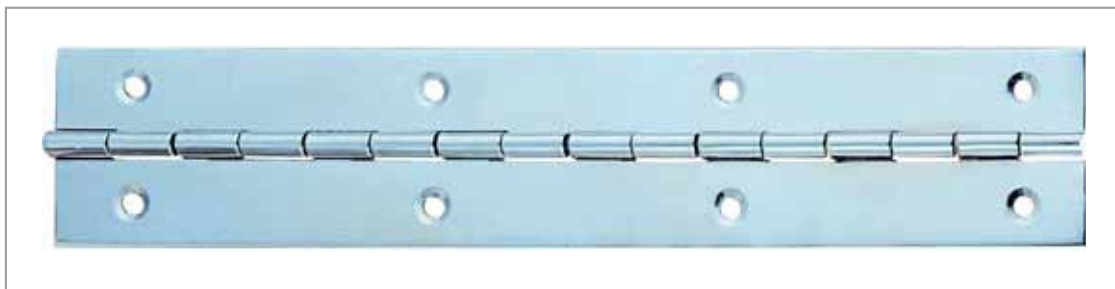


Hinges

DIMENSION	MODEL NO.								
	HZA 01-C	HZA 02-C	HZA 03-C	HZA 04-C	HZA 05-C	HZA 06-C	HZA 07-C	HZA 08-C	HZA 09-C
A	9.53mm	9.53mm	12.70mm	12.70mm	15.8mm	19.05mm	25.40mm	28.58mm	34.93mm
B	7.14mm	7.54mm	9.13mm	9.13mm	11.51mm	13.49mm	18.26mm	22.23mm	26.99mm
C	25.40mm	42.86mm	44.45mm	60.33mm	69.85mm	95.25mm	117.48mm	117.48mm	139.70mm
D	9.53mm	22.23mm	19.05mm	31.75mm	34.13mm	52.39mm	65.88mm	61.91mm	74.61mm
E	79mm	79mm	79mm	1.59mm	1.19mm	1.19mm	1.59mm	1.59mm	1.59mm
F	11.91mm	11.51mm	18.26mm	18.26mm	23.02mm	27.38mm	36.51mm	40.48mm	49.21mm
G	5.96mm	5.56mm	4.76mm	6.35mm	7.14mm	9.53mm	11.91mm	10.32mm	11.91mm



HSS 1 1/4"-F



MODEL NO.	DIMENSION (HxWxT)
HSS 1"-F	25.4 x 1830 x 1 mm
HSS 1 1/4"-F	32 x 1830 x 1 mm
HSS 2"-F	50.4 x 1830 x 1.2 mm
HSS 3"-F	76 x 1830 x 1.2 mm

Finishes

(SSS)
Satin
Stainless
Steel

(PSS)
Polish
Stainless
Steel

(PB)
Polish
Brass

HSB 1 1/4"-F



MODEL NO.	DIMENSION (HxWxT)
HSB 1"-F	25.4 x 1830 x 1 mm
HSB 1 1/4"-F	32 x 1830 x 1 mm
HSB 2"-F	50.4 x 1830 x 1.2 mm





Livorno®

HSB 403030

MODEL NO.	DIMENSION (HxWxT)
HSB 303020	3.0" x 3.0" x 2.0 mm
HSB 353520	3.5" x 3.5" x 2.0 mm
HSB 403020	4.0" x 3.0" x 2.0 mm
HSB 403025	4.0" x 3.0" x 2.5 mm
HSB 403030	4.0" x 3.0" x 3.0 mm



Finishes



(PB)
Polish
Brass



(GP)
Gold
Plated



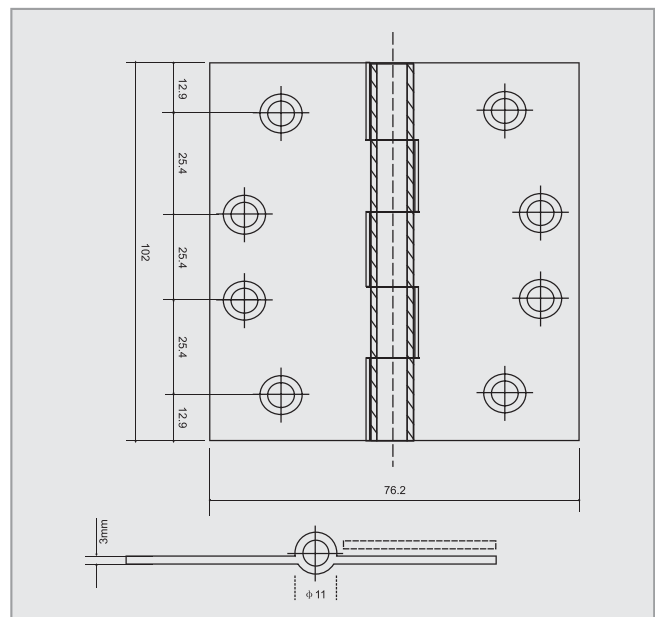
(AB)
Antique
Brass
Plated



(AC)
Antique
Copper
Plated

HINGE THICKNESS	KG's PER DOOR
2.0 mm	25 ~ 40
2.5 mm	40 ~ 60
3.0 mm	60 ~ 80

Recommendation: 3 Pieces per door



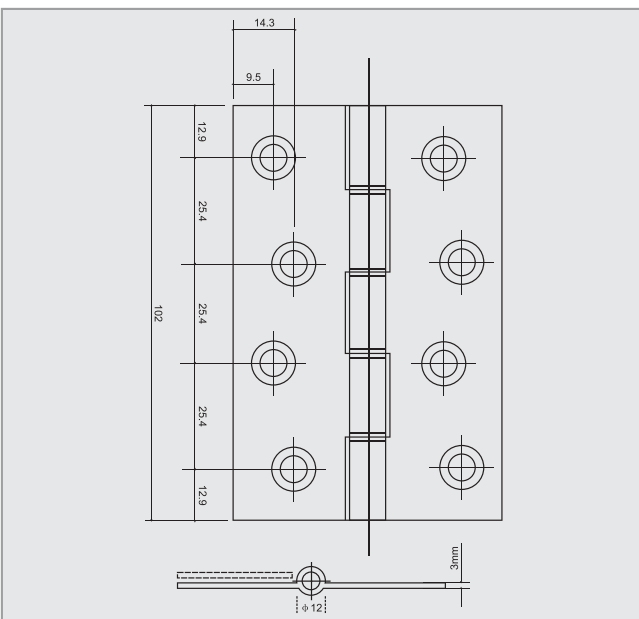
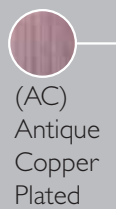


HSB 402530-DSSW



MODEL NO.	DIMENSION (HxWxT)
HSB 303020-DSSW	3.0" x 3.0" x 2.0 mm
HSB 353520-DSSW	3.5" x 3.5" x 2.0 mm
HSB 403020-DSSW	4.0" x 3.0" x 2.0 mm
HSB 403025-DSSW	4.0" x 3.0" x 2.5 mm
HSB 403030-DSSW	4.0" x 3.0" x 3.0 mm

Finishes



HINGE THICKNESS	KG's PER DOOR
2.0 mm	25 ~ 40
2.5 mm	40 ~ 60
3.0 mm	60 ~ 80
3.5 mm	80 ~ 120
4.0 mm	120 ~ 150

Recommendation: 3 Pieces per door



Livorno®

Finishes



(PB)
Polish
Brass



(GP)
Gold
Plated



(AB)
Antique
Brass
Plated



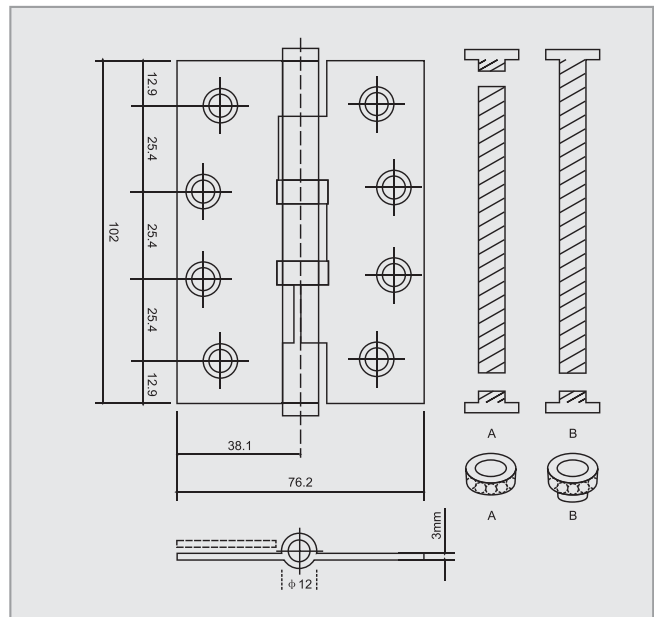
(AC)
Antique
Copper
Plated

MODEL NO.	DIMENSION (HxWxT)
HSB 302020-2BB	3.0" x 2.0" x 2.0 mm
HSB 302520-2BB	3.0" x 2.5" x 2.0 mm
HSB 303020-2BB	3.0" x 3.0" x 2.0 mm
HSB 403020-2BB	4.0" x 3.0" x 2.0 mm
HSB 353025-2BB	3.5" x 3.0" x 2.5 mm
HSB 403030-2BB	4.0" x 3.0" x 3.0 mm
HSB 403530-2BB	4.0" x 3.5" x 3.0 mm
HSB 404030-2BB	4.0" x 4.0" x 3.0 mm
HSB 454030-2BB	4.5" x 4.0" x 3.0 mm
HSB 454530-2BB	4.5" x 4.5" x 3.0 mm
HSB 504030-2BB	5.0" x 4.0" x 3.0 mm
HSB 604030-2BB	6.0" x 4.0" x 3.0 mm
HSB 454040-2BB	4.5" x 4.0" x 4.0 mm
HSB 454540-2BB	4.5" x 4.5" x 4.0 mm
HSB 503540-2BB	5.0" x 3.5" x 4.0 mm
HSB 504040-2BB	5.0" x 4.0" x 4.0 mm
HSB 604040-2BB	6.0" x 4.0" x 4.0 mm

HINGE THICKNESS	KG's PER DOOR
2.0 mm	25 ~ 40
2.5 mm	40 ~ 60
3.0 mm	60 ~ 80
3.5 mm	80 ~ 120
4.0 mm	120 ~ 150

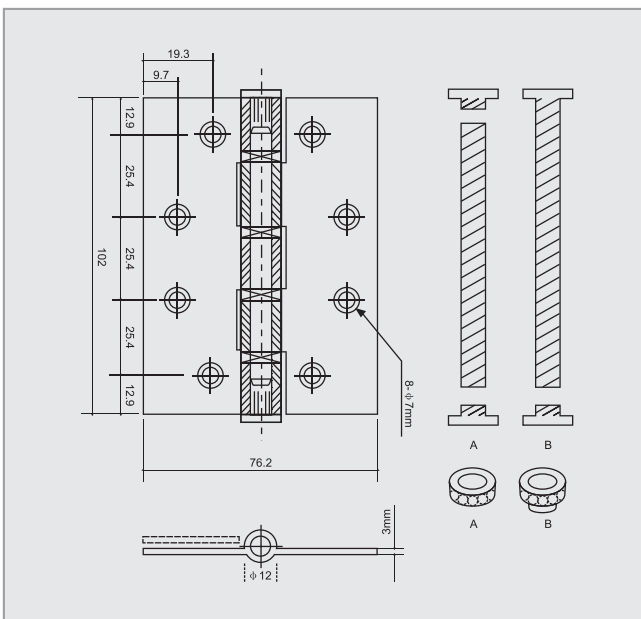
Recommendation: 3 Pieces per door

HSB 403030-2BB





HSB 403030-4BB



MODEL NO.	DIMENSION (Hx WxT)
HSB 302020-4BB	3.0" x 2.0" x 2.0 mm
HSB 303020-4BB	3.0" x 3.0" x 2.0 mm
HSB 403025-4BB	4.0" x 3.0" x 2.5 mm
HSB 403030-4BB	4.0" x 3.0" x 3.0 mm
HSB 403530-4BB	4.0" x 3.5" x 3.0 mm
HSB 404030-4BB	4.0" x 4.0" x 3.0 mm
HSB 454030-4BB	4.5" x 4.0" x 3.0 mm
HSB 503530-4BB	5.0" x 3.5" x 3.0 mm
HSB 504030-4BB	5.0" x 4.0" x 3.0 mm
HSB 454040-4BB	4.5" x 4.0" x 4.0 mm
HSB 454540-4BB	4.5" x 4.5" x 4.0 mm
HSB 503540-4BB	5.0" x 3.5" x 4.0 mm
HSB 504040-4BB	5.0" x 4.0" x 4.0 mm
HSB 604040-4BB	6.0" x 4.0" x 4.0 mm

HINGE THICKNESS	KG's PER DOOR
2.0 mm	25 ~ 40
2.5 mm	40 ~ 60
3.0 mm	60 ~ 80
3.5 mm	80 ~ 120
4.0 mm	120 ~ 150

Recommendation: 3 Pieces per door

Finishes



(PB)
Polish
Brass



(GP)
Gold
Plated



(AB)
Antique
Brass
Plated



(AC)
Antique
Copper
Plated



Livorno®

Finishes



(PB)
Polish
Brass



(GP)
Gold
Plated



(AB)
Antique
Brass
Plated



(AC)
Antique
Copper
Plated

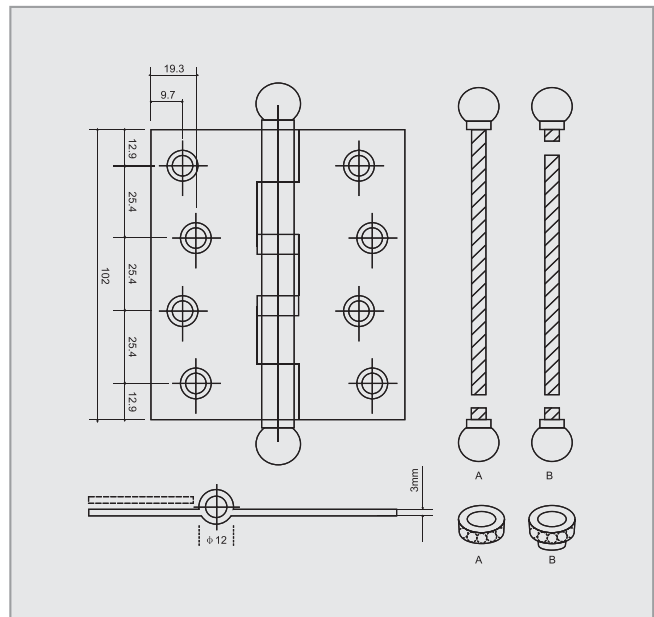
MODEL NO.	DIMENSION (HxWxT)
HSB 302020-2BBCI	3.0" x 2.0" x 2.0 mm
HSB 302520-2BBCI	3.0" x 2.5" x 2.0 mm
HSB 403020-2BBCI	4.0" x 3.0" x 2.0 mm
HSB 303020-2BBCI	3.0" x 3.0" x 2.0 mm
HSB 403025-2BBCI	4.0" x 3.0" x 2.5 mm
HSB 403030-2BBCI	4.0" x 3.0" x 3.0 mm
HSB 403530-2BBCI	4.0" x 3.5" x 3.0 mm
HSB 404030-2BBCI	4.0" x 4.0" x 3.0 mm
HSB 454030-2BBCI	4.5" x 4.0" x 3.0 mm
HSB 503530-2BBCI	5.0" x 3.5" x 3.0 mm
HSB 504030-2BBCI	5.0" x 4.0" x 3.0 mm
HSB 454040-2BBCI	4.5" x 4.0" x 4.0 mm
HSB 454540-2BBCI	4.5" x 4.5" x 4.0 mm
HSB 503540-2BBCI	5.0" x 3.5" x 4.0 mm
HSB 504040-2BBCI	5.0" x 4.0" x 4.0 mm
HSB 604040-2BBCI	6.0" x 4.0" x 4.0 mm

Available also in 4BBCI
(4 Ball Bearing)

HINGE THICKNESS	KG's PER DOOR
2.0 mm	25 ~ 40
2.5 mm	40 ~ 60
3.0 mm	60 ~ 80
3.5 mm	80 ~ 120
4.0 mm	120 ~ 150

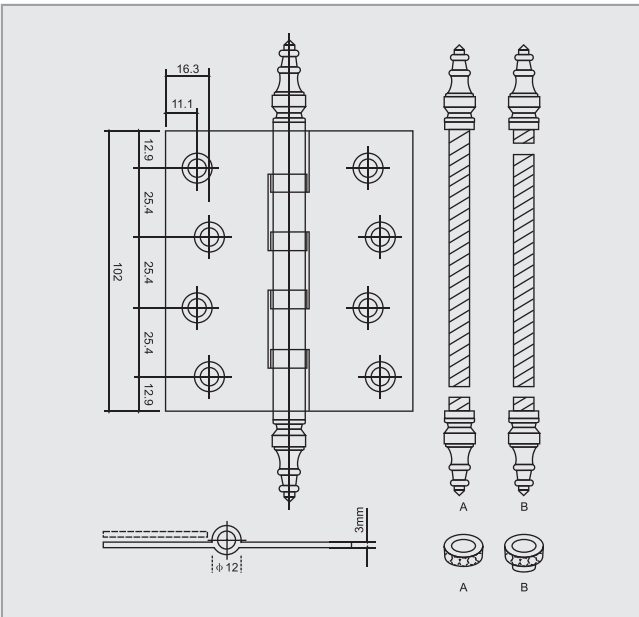
Recommendation: 3 Pieces per door

HSB 403030-2BBCI





HSB 403530-4BBC2



MODEL NO.	DIMENSION (Hx WxT)
HSB 302020-4BBC2	3.0" x 2.0" x 2.0 mm
HSB 302520-4BBC2	3.0" x 2.5" x 2.0 mm
HSB 303020-4BBC2	3.0" x 3.0" x 2.0 mm
HSB 403020-4BBC2	4.0" x 3.0" x 2.0 mm
HSB 403030-4BBC2	4.0" x 3.0" x 3.0 mm
HSB 403530-4BBC2	4.0" x 3.5" x 3.0 mm
HSB 404030-4BBC2	4.0" x 4.0" x 3.0 mm
HSB 454030-4BBC2	4.5" x 4.0" x 3.0 mm
HSB 503530-4BBC2	5.0" x 3.5" x 3.0 mm
HSB 504030-4BBC2	5.0" x 4.0" x 3.0 mm
HSB 454040-4BBC2	4.5" x 4.0" x 4.0 mm
HSB 454540-4BBC2	4.5" x 4.5" x 4.0 mm
HSB 503540-4BBC2	5.0" x 3.5" x 4.0 mm
HSB 504040-4BBC2	5.0" x 4.0" x 4.0 mm
HSB 604040-4BBC2	6.0" x 4.0" x 4.0 mm

Available also in 2BBC2
(2 Ball Bearing)

HINGE THICKNESS	KG's PER DOOR
2.0 mm	25 ~ 40
2.5 mm	40 ~ 60
3.0 mm	60 ~ 80
3.5 mm	80 ~ 120
4.0 mm	120 ~ 150

Recommendation: 3 Pieces per door

Finishes



(PB)
Polish
Brass



(GP)
Gold
Plated



(AB)
Antique
Brass
Plated



(AC)
Antique
Copper
Plated



Livorno®

Finishes



(PB)
Polish
Brass



(GP)
Gold
Plated



(AB)
Antique
Brass
Plated



(AC)
Antique
Copper
Plated

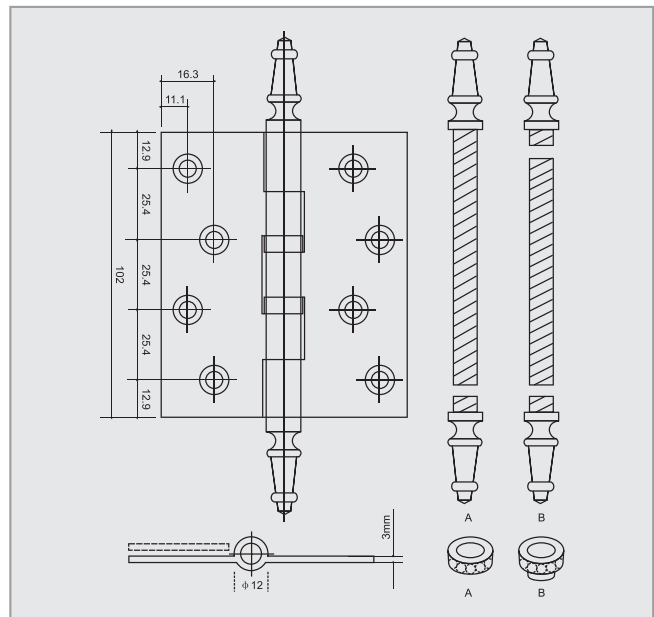
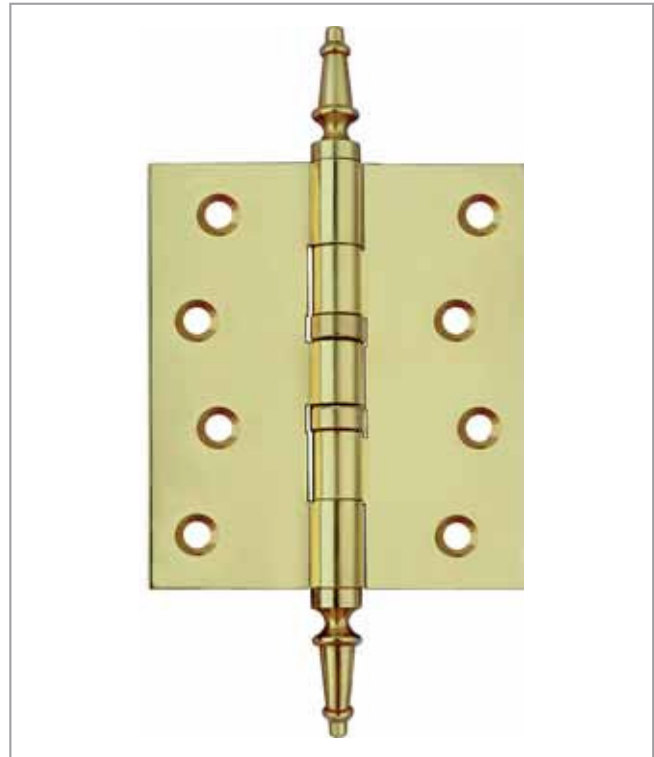
MODEL NO.	DIMENSION (HxWxT)
HSB 302020-2BBC3	3.0" x 2.0" x 2.0 mm
HSB 302520-2BBC3	3.0" x 2.5" x 2.0 mm
HSB 303020-2BBC3	3.0" x 3.0" x 2.0 mm
HSB 403020-2BBC3	4.0" x 3.0" x 2.0 mm
HSB 403030-2BBC3	4.0" x 3.0" x 3.0 mm
HSB 403530-2BBC3	4.0" x 3.5" x 3.0 mm
HSB 404030-2BBC3	4.0" x 4.0" x 3.0 mm
HSB 454030-2BBC3	4.5" x 4.0" x 3.0 mm
HSB 503530-2BBC3	5.0" x 3.5" x 3.0 mm
HSB 504030-2BBC3	5.0" x 4.0" x 3.0 mm
HSB 454040-2BBC3	4.5" x 4.0" x 4.0 mm
HSB 454540-2BBC3	4.5" x 4.5" x 4.0 mm
HSB 503540-2BBC3	5.0" x 3.5" x 4.0 mm
HSB 504040-2BBC3	5.0" x 4.0" x 4.0 mm
HSB 604040-2BBC3	6.0" x 4.0" x 4.0 mm

Available also in 4BBC3
(4 Ball Bearing)

HINGE THICKNESS	KG's PER DOOR
2.0 mm	25 ~ 40
2.5 mm	40 ~ 60
3.0 mm	60 ~ 80
3.5 mm	80 ~ 120
4.0 mm	120 ~ 150

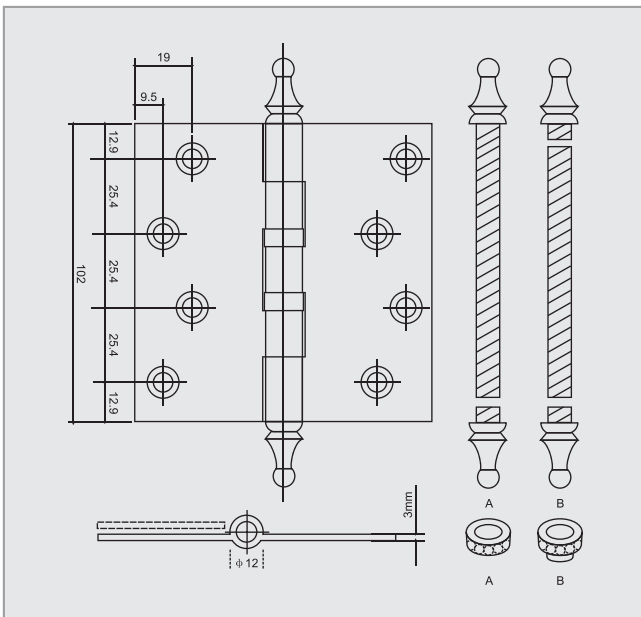
Recommendation: 3 Pieces per door

HSB 403530-2BBC3





HSB 403530-2BBC4



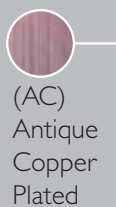
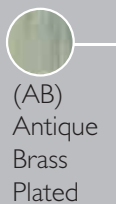
MODEL NO.	DIMENSION (Hx WxT)
HSB 302020-2BBC4	3.0" x 2.0" x 2.0 mm
HSB 302520-2BBC4	3.0" x 2.5" x 2.0 mm
HSB 403020-2BBC4	4.0" x 3.0" x 2.0 mm
HSB 303020-2BBC4	3.0" x 3.0" x 2.0 mm
HSB 403030-2BBC4	4.0" x 3.0" x 3.0 mm
HSB 403530-2BBC4	4.0" x 3.5" x 3.0 mm
HSB 404030-2BBC4	4.0" x 4.0" x 3.0 mm
HSB 454030-2BBC4	4.5" x 4.0" x 3.0 mm
HSB 503530-2BBC4	5.0" x 3.5" x 3.0 mm
HSB 504030-2BBC4	5.0" x 4.0" x 3.0 mm
HSB 454040-2BBC4	4.5" x 4.0" x 4.0 mm
HSB 454540-2BBC4	4.5" x 4.5" x 4.0 mm
HSB 503540-2BBC4	5.0" x 3.5" x 4.0 mm
HSB 504040-2BBC4	5.0" x 4.0" x 4.0 mm
HSB 604040-2BBC4	6.0" x 4.0" x 4.0 mm

Available also in 4BBC4
(4 Ball Bearing)

HINGE THICKNESS	KG's PER DOOR
2.0 mm	25 ~ 40
2.5 mm	40 ~ 60
3.0 mm	60 ~ 80
3.5 mm	80 ~ 120
4.0 mm	120 ~ 150

Recommendation: 3 Pieces per door

Finishes





Livorno®

HSB 403030-C

MODEL NO.	DIMENSION (HxWxT)
HSB 303030-C	3.0" x 3.0" x 3.0 mm
HSB 403030-C	4.0" x 3.0" x 3.0 mm
HSB 404030-C	4.0" x 4.0" x 3.0 mm



HINGE THICKNESS	KG's PER DOOR
3.0 mm	60 ~ 80

Recommendation: 3 Pieces per door

Finishes



(PB)
Polish
Brass



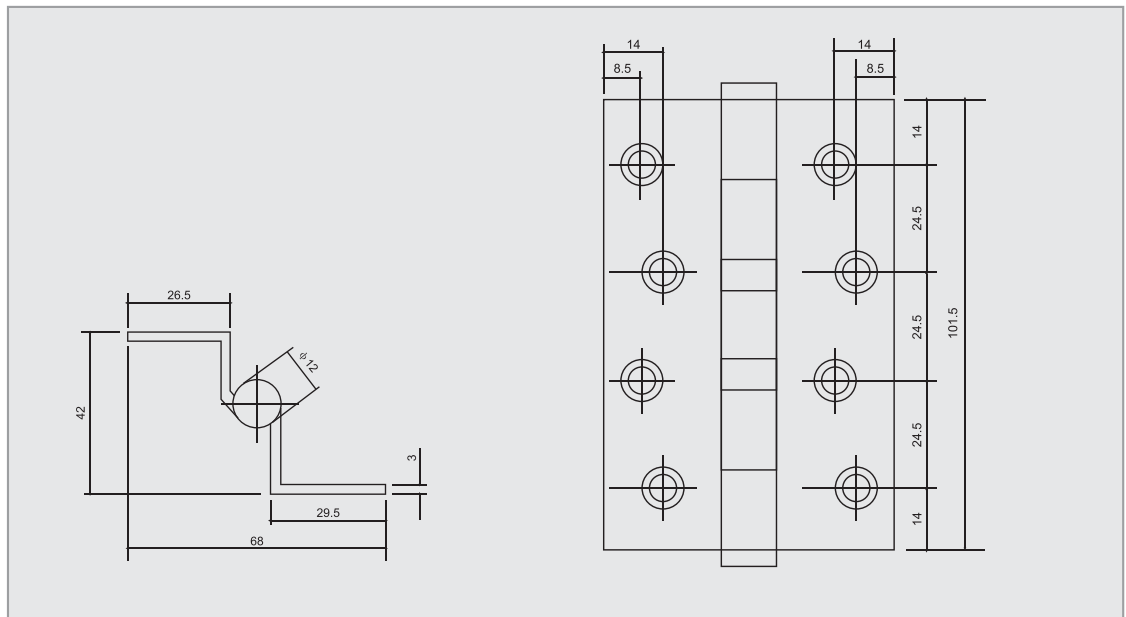
(GP)
Gold
Plated



(AB)
Antique
Brass
Plated

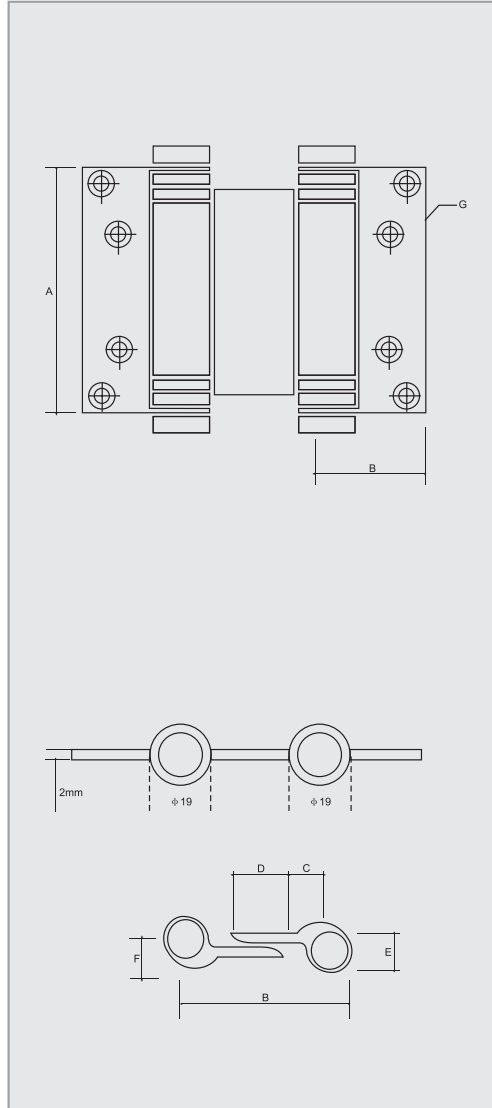


(AC)
Antique
Copper
Plated

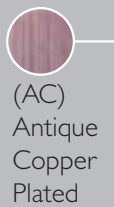
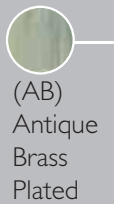




HSB 4"-DA



Finishes



MODEL NO.	DIMENSION (A-B-C-D-E-F-G-H)
HSB 4"-DA	102(4") - 40 - 16.5 - 23.5 - 25 - 16.3 - 5 - 54.5
HSB 5"-DA	127(5") - 47.5 - 15.5 - 32 - 25 - 17.5 - 5.5 - 64
HSB 6"-DA	153(6") - 51.5 - 16.5 - 35 - 25 - 17.5 - 5.5 - 70.5

HINGE THICKNESS	KG's PER DOOR
2.0 mm	25 ~ 40

Recommendation: 3 Pieces per door



Livorno®



Door Accessories

Door Accessories



D-001



Door Closer

General Description

- Economical Solution for Standard Doors.
- Non-Handed, Suitable for Standard, Parallel Arm and Frame Installation
- Fully Controlled Closing Cycle
- Surface Finish for Optimum Corrosion Protection
- Rectangular Clip-on Cover (Optional)

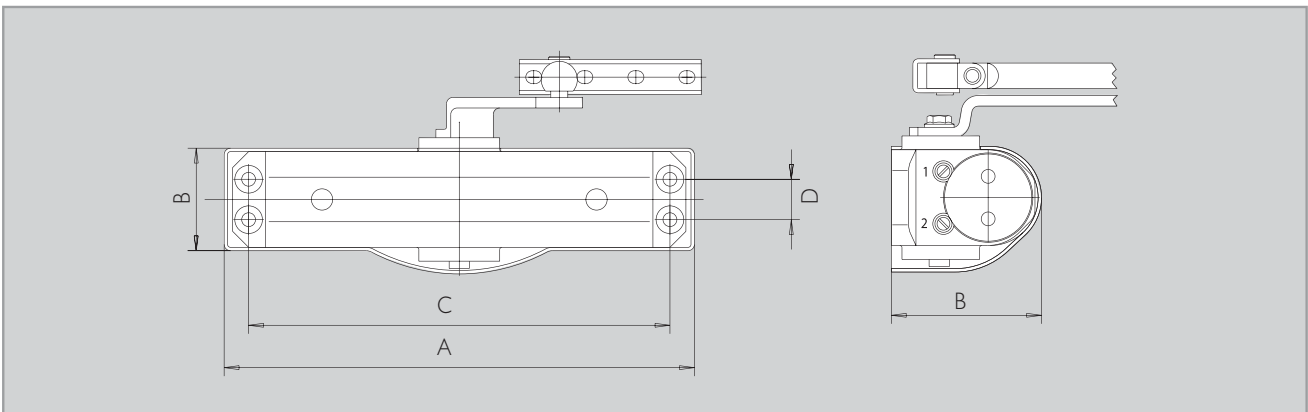
Product Features

- Provided with closing, locking, buffering, Delaying time adjustable Function.
- The Strength of Shutting door can be adjusted
- Optional to be installed vertical on the door or on the upper
- Doorframe, Parallel and side-relation type.

Available Finishes : Silver, Gold, Bronze

Technical Parameters Table

Product Model	Overall Dimension (mm)			Installation Dimension (mm)		Applicable Door Weight
	A	B	E	C	D	
D - 001	182	42	65	165	19	40 ~ 60
D - 002	206	44.5	72	188	19	60 ~ 85
D - 003	227	44.5	72	208	19	85 ~ 120





DDDC009



Concealed Door Closer

General Description

- Available for wood or steel fire doors, commercial or industrial used.
- Pass 500,000 times open test as per EN 1154.
- Pass 180-minute fire resistance test.
- 2-Section speed control.
- Door width $\leq 950\text{mm}$, door weight 40-65kg.

Product Features

- Thickness of metal door: 36mm(minimum)
- Thickness of wood door: 40mm(minimum)
- First closing speed adjustment screw range angle is $120^{\circ}\sim 15^{\circ}$, the second closing speed adjustable screw range angle is $15^{\circ}\sim 0^{\circ}$.
- Cam action is available if request.

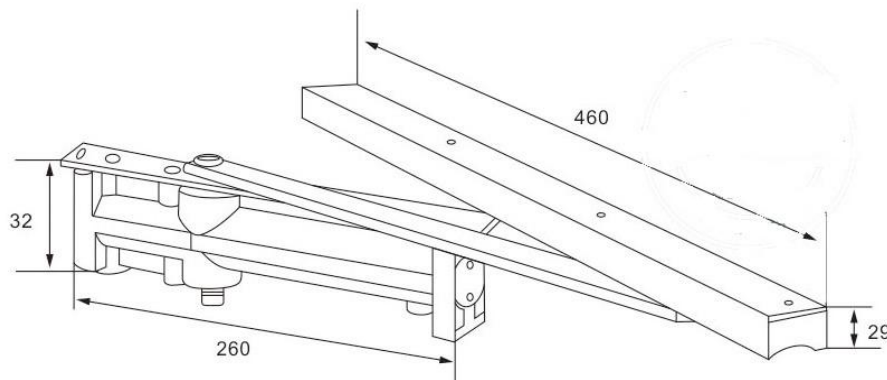
Available Finishes : Silver.

Technical Parameters Table

Product Model	Applicable Door Width	Applicable Door Weight
DDDC009	$\leq 950\text{mm}$	40 ~ 65

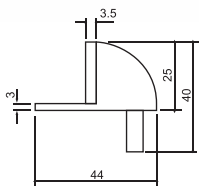


3 Hours Fire-rated

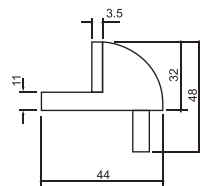




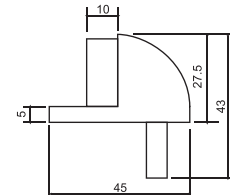
D 2020-1



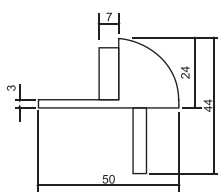
D 2020-2



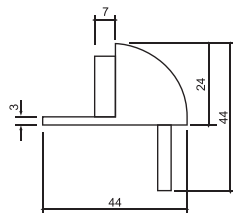
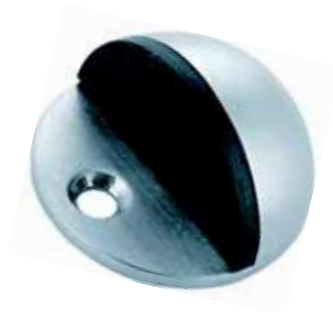
D 2020-3



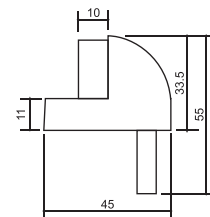
D 2020-4



D 2020-5



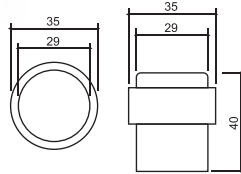
D 2020-6



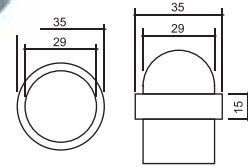
Half Round Door Stopper, Floor Mounted
Available Materials : Stainless Steel, Brass, Zinc Alloy
Available Finishes : SSS, PSS, BP, GP, AB, AC, PB, NP, SN, SC



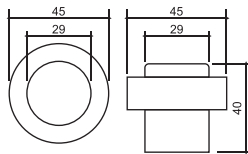
D 2021-1



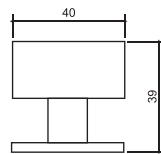
D 2021-2



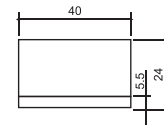
D 2021-3



D 2021-4



D 2021-5

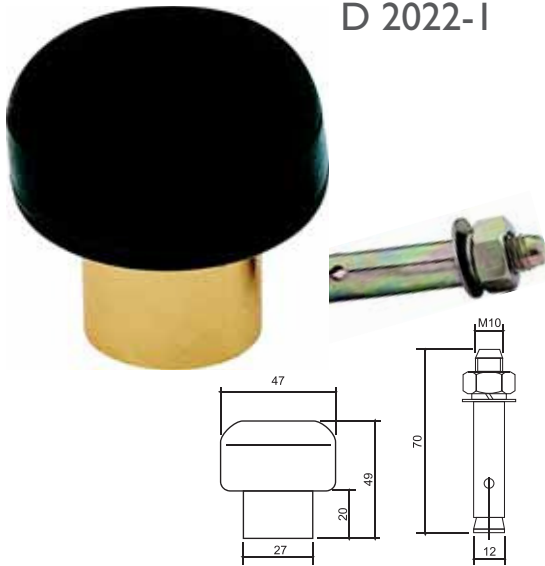


Floor Mounted Door Stopper

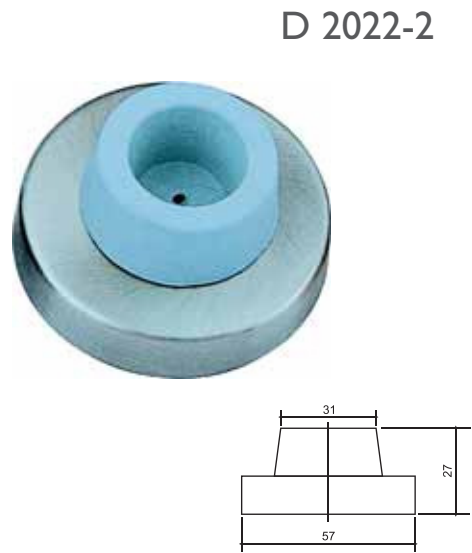
Available Materials : Stainless Steel, Brass

Available Finishes : SSS, PSS, BP, GP, AB, AC, PB, NP, SN, SC





Solid brass door stopper
Floor mounted type
Finishes: PB, SB, CP, NP, SC, SN, GP, AB, AC



Solid Stainless Steel door stopper
Wall mounted type
Finishes: SSS, PSS, BP, CP, NP, GP, AB, AC



Zinc alloy door stopper
Floor mounted type
Finishes: BP, CP, NP, SC, SN, GP, AB, AC

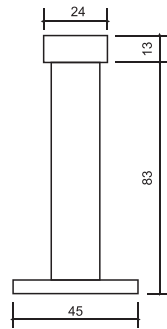


Solid brass door stopper
Wall mounted type
Finishes: PB, SB, CP, NP, SC, SN, GP, AB, AC





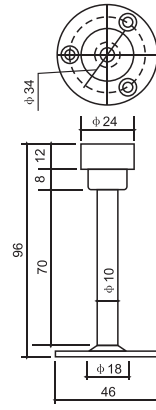
D 2022-5



Stainless Steel door stopper with a flange
Wall mounted type
Finishes: SSS, PSS, BP, GP, AB, AC



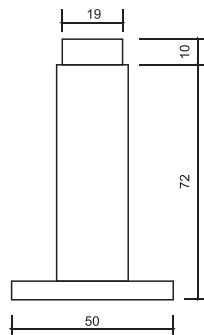
D 2022-6



Stainless Steel door stopper without hook
Wall mounted type
Finishes: SSS, PSS, BP, GP, AB, AC



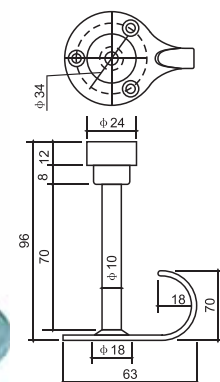
D 2022-7



Solid Stainless Steel door stopper
Wall mounted type
Finishes: SSS, PSS, BP, GP, AB, AC



D 2022-8



Stainless Steel door stopper with hook
Door mounted type
Finishes: SSS, PSS, BP, GP, AB, AC





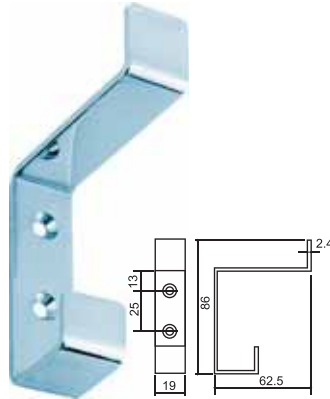
Livorno®

CH-1



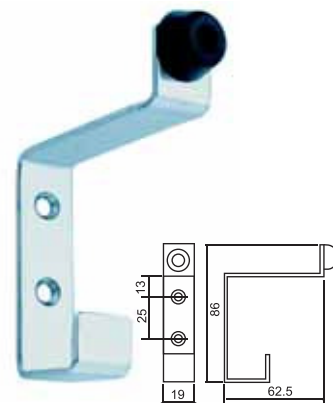
Stainless Steel Coat Hook
Finishes: SSS, PSS, BP, GP, AB, AC

CH-2



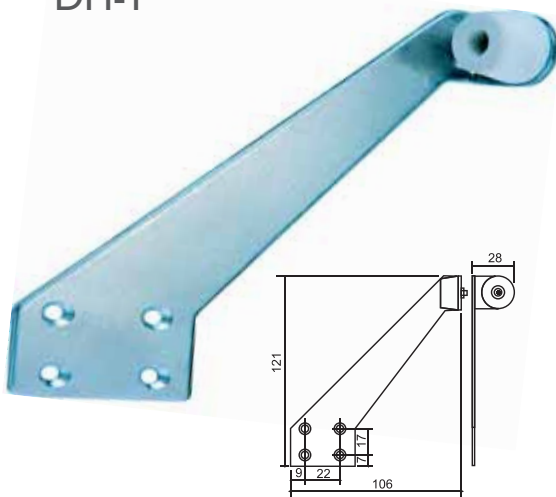
Stainless Steel Coat Hook
Finishes: SSS, PSS, BP, GP, AB, AC

CH-3



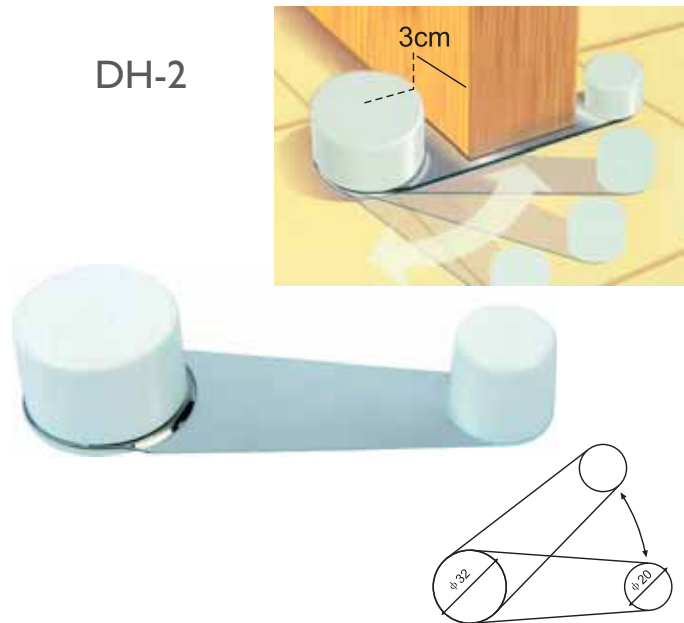
Stainless Steel Coat Hook
Finishes: SSS, PSS, BP, GP, AB, AC

DH-1



Stainless Steel door stopper
Finishes: SSS, PSS, BP, GP, AB, AC

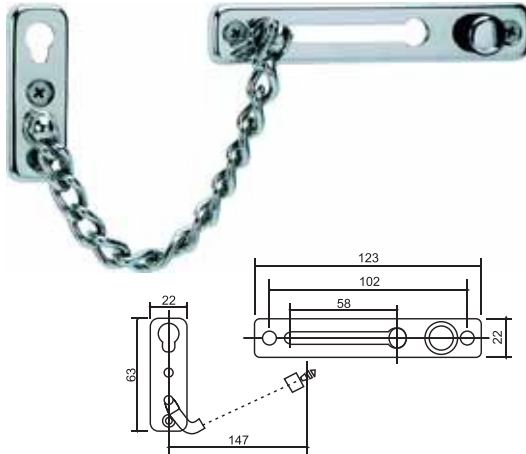
DH-2



Stainless Steel door stopper
Finishes: SSS, PSS, BP, GP, AB, AC

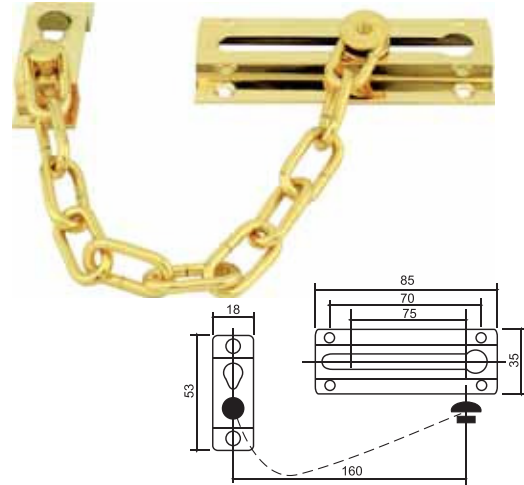


DG-1



Door Security Chain
Available Material : Stainless Steel, Brass, Zinc Alloy
Finishes: SSS, PSS, BP, GP, AB, AC, PB, NP, SN, SC

DG-2



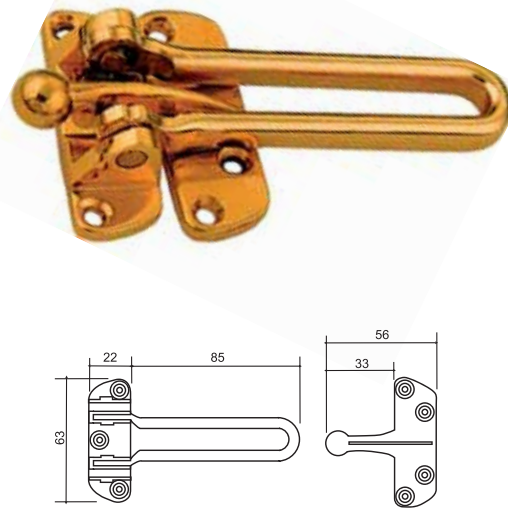
Door Security Chain
Available Material : Stainless Steel, Brass, Zinc Alloy
Finishes: SSS, PSS, BP, GP, AB, AC, PB, NP, SN, SC

DG-3



Door Security Chain
Available Material : Stainless Steel, Brass, Zinc Alloy
Finishes: SSS, PSS, BP, GP, AB, AC, PB, NP, SN, SC

DG-4

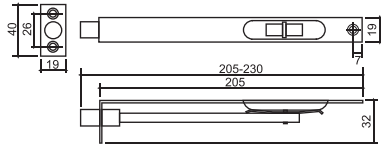
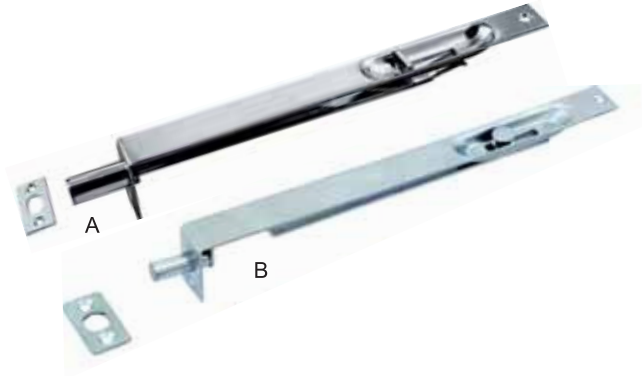


Door Security Guard
Available Material : Stainless Steel, Brass, Zinc Alloy
Finishes: SSS, PSS, BP, GP, AB, AC, PB, NP, SN, SC





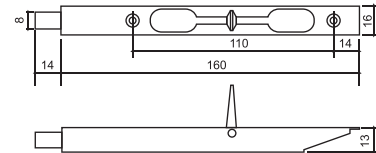
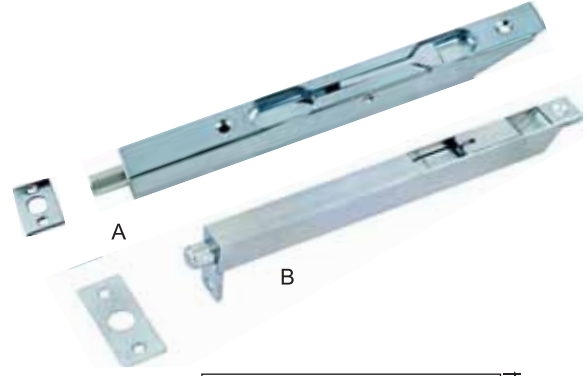
FBSS-1



Width	Length
3/4"	4", 6", 8"

Stainless Steel flush bolt
 Finishes: SSS, PSS, BP, GP, AB, AC

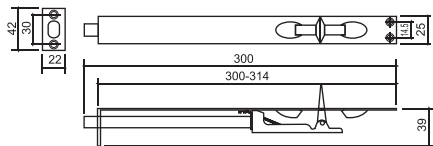
FBSS-2



Width	Length
16mm	160mm, 200mm, 250mm, 300mm

Stainless Steel flush bolt
 Finishes: SSS, PSS, BP, GP, AB, AC

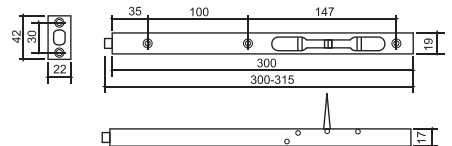
FBSS-3



Width	Length
1"	6", 8", 10", 12"

Stainless Steel flush bolt
 Finishes: SSS, PSS, BP, GP, AB, AC

FBSS-4



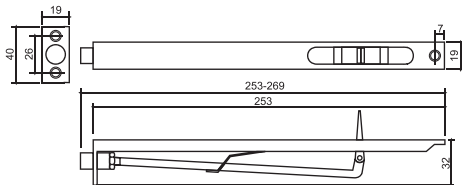
Width	Length
3/4"	8", 10", 12", 18", 24"

Stainless Steel flush bolt
 Finishes: SSS, PSS, BP, GP, AB, AC





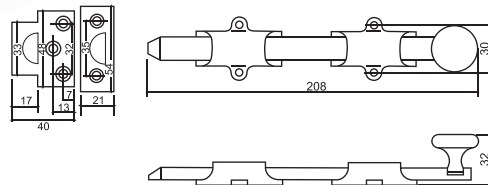
FBB-1



Width	Length
3/4"	6", 8", 10", 12"

Brass flush bolt
 Finishes: PB, SB, CP, NP, SC, SN, GP, AB, AC

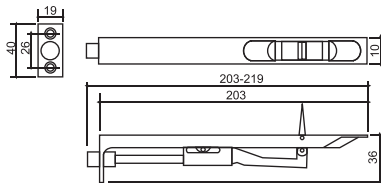
FBB-2



Width	Length
3/4"	8", 12", 18"

Brass door bolt
 Finishes: PB, SB, CP, NP, SC, SN, GP, AB, AC

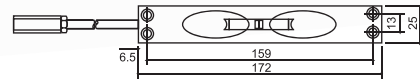
FBB-3



Width	Length
3/4"	6", 8", 10", 12"

Brass flush bolt
 Finishes: PB, SB, CP, NP, SC, SN, GP, AB, AC

FBB-4



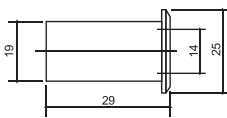
Width	Length
3/4"	6", 8", 12"

Brass flush bolt
 Finishes: PB, SB, CP, NP, SC, SN, GP, AB, AC



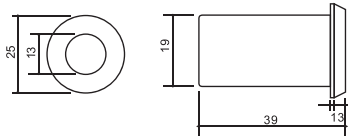


B-934



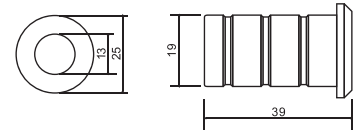
Brass Dust Proof Strike
Without Plate
Finishes: PB, SB, CP, NP, GP, AB, AC, SN

B-935



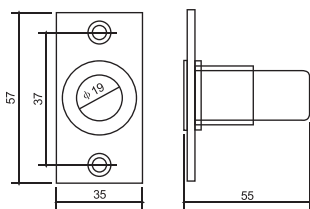
Brass Dust Proof Strike
Without Plate
Finishes: PB, SB, CP, NP, GP, AB, AC, SN

B-936



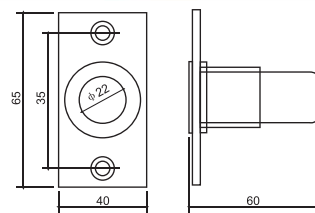
Brass Dust Proof Strike
Without Plate
Finishes: PB, SSS, CP, NP, GP, AB, AC, SN

SS 937



Stainless Steel or Brass Dust Proof Strike
With Plate
Finishes: SSS, PSS, BP, GP, AB, AC

SS 938

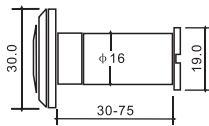


Stainless Steel Dust Proof Strike
With Plate
Finishes: SSS, PSS, BP, GP, AB, AC

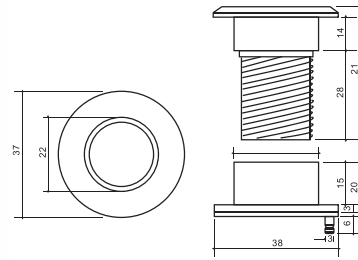




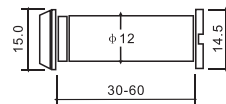
BDV200



BDVI80-1

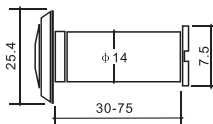


BDVI60



Door Viewer with Cover

BDVI80-2



Brass Door Viewer
200°, 180° and 160° Glass Lenses
Finishes : PB, CP, NP, GP, AB, AC

BDV-160

30~50 mm / 35~60 mm

BDV-180

30~50 mm / 35~60 mm
42~65 mm / 50~75 mm

BDV-200

30~50 mm / 35~60 mm
42~65 mm / 50~75 mm

Door Accessories



Livorno®

SP-101



Men's Washroom
(square Type Sign Plate)
100mm X 100mm X 1.5mm

SP-102



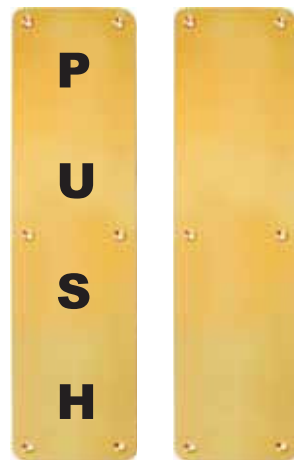
Ladies Washroom
(square Type Sign Plate)
100mm X 100mm X 1.5mm

SP-103



Public Washroom
(Rectangular Type Sign Plate)
170mm X 130mm X 1.5mm

SP-104



Push Plate (indication)
Push Plate
100mm X 300mm X 1.5mm

Material Available	Finishes Available
Stainless steel	SSS, PSS, BP, CP, NP, GP, AB, AC, SP
Brass	PB, SB, CP, NP, GP, SG, AB, AC
Aluminium	SA, BP, CP, NP, GP, AB, AC, SP

Door Accessories

Livorno®



SP-105



For Handicapped
(Circle Type Sign Plate)
Ø 76mm X 1.5mm

SP-106



No Smoking
(Circle Type Sign Plate)
Ø 76mm X 1.5mm

SP-107



Public Washroom
(Circle Type Sign Plate)
Ø 76mm X 1.5mm

SP-108



Men's Washroom
(Circle Type Sign Plate)
Ø 76mm X 1.5mm

SP-109



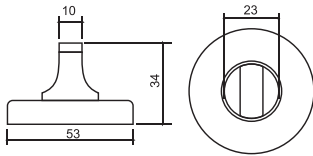
Ladies Washroom
(Circle Type Sign Plate)
Ø 76mm X 1.5mm

Material Available	Finishes Available
Stainless steel	SSS, PSS, BP, CP, NP, GP, AB, AC, SP
Brass	PB, SB, CP, NP, GP, SG, AB, AC
Aluminium	SA, BP, CP, NP, GP, AB, AC, SP



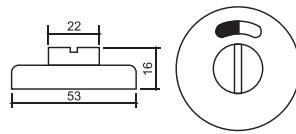
Livorno®

17010



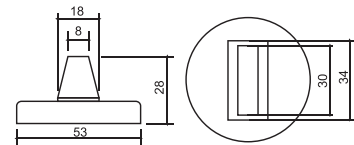
Stainless Steel Thumb Turn
Finishes: SSS, PSS, BP, SP, AB, AC

A



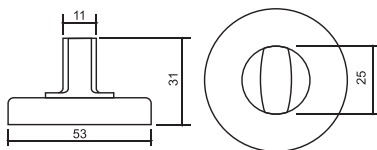
Stainless Steel Indicator
Finishes: SSS, PSS, BP, SP, AB, AC

17011



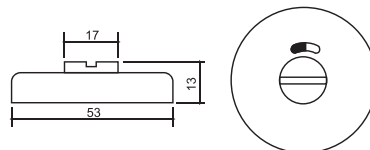
Stainless Steel Thumb Turn
Finishes: SSS, PSS, BP, SP, AB, AC

17012



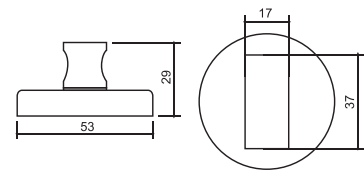
Stainless Steel Thumb Turn
Finishes: SSS, PSS, BP, SP, AB, AC

B



Stainless Steel Indicator
Finishes: SSS, PSS, BP, SP, AB, AC

17013

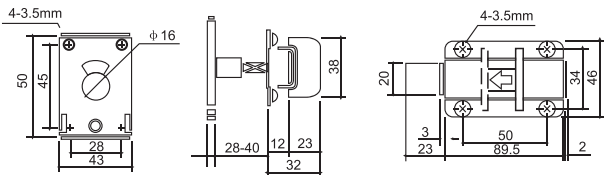


Stainless Steel Thumb Turn
Finishes: SSS, PSS, BP, SP, AB, AC



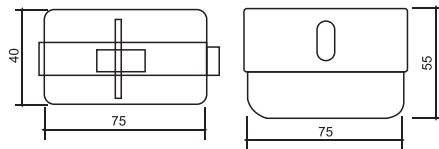


SSIB-01



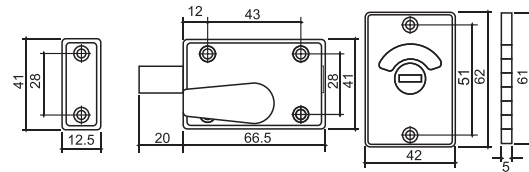
Stainless Steel Indicator Bolt
Finishes: SSS, PSS, BP, GP, AB, AC

SSIB-02



Stainless Steel Indicator Bolt
Finishes: SSS, PSS, BP, GP, AB, AC

SSIB-03

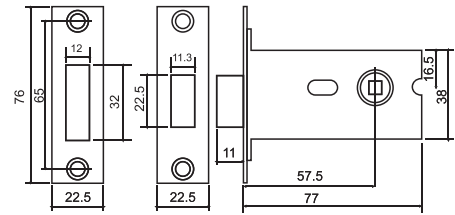


Stainless Steel Indicator Bolt
Finishes: SSS, PSS, BP, GP, AB, AC



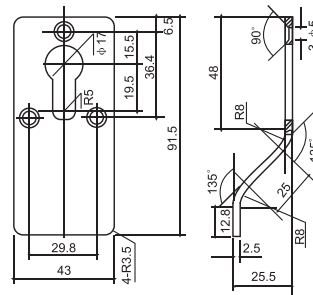
Livorno®

SSIB-04



Stainless Steel Bathroom Dead Bolt
Finishes: SSS, PSS, BP, SP, AB, AC

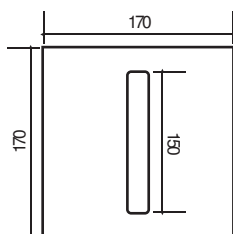
PES-01



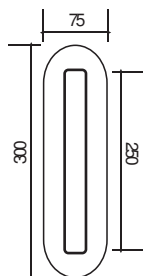
Stainless Steel Pull Escutcheon
Finishes: SSS, PSS, BP, SP, AB, AC



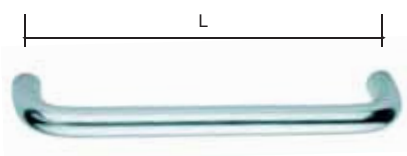
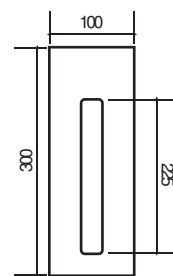
PHA-044



PHB-044



PHC-044



PH-044



PH-045

Length : 150 mm, 225 mm, 250 mm, 300 mm

Available Materials / Finishes

Stainless Steel : SSS, PSS, AB, AC, GP, PVD

Brass : PB, CP, NP, GP

Aluminium : Natural, Silver anodized



Livorno®



Furniture Handles

Furniture Handles

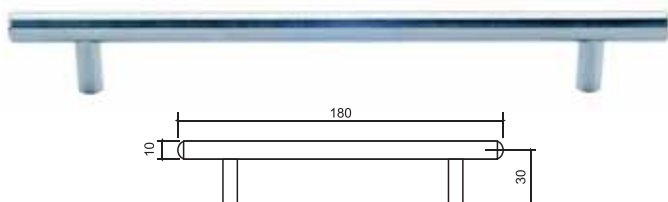


Furniture Handles

Livorno®



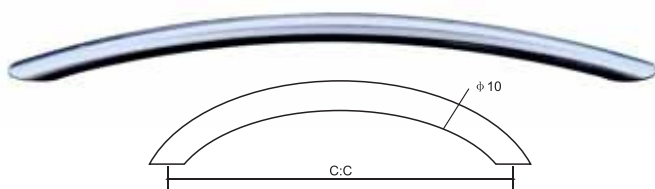
FH005SS



Diameter	Length(center to center)
10,12,14mm	96,128,160,192,256,320mm

Stainless Steel Furniture Handle
Finishes : SSS, PSS, BP, CP, NP, GP, AB, AC

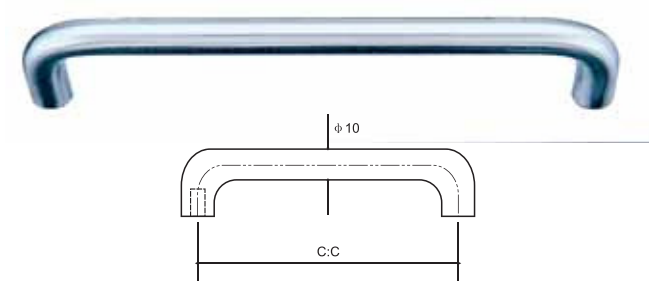
FH006SS



Diameter	Length(center to center)
10,12,14mm	96,128,160,192,256,320mm

Stainless Steel Furniture Handle
Finishes : SSS, PSS, BP, CP, NP, GP, AB, AC

FH007SS



Diameter	Length(center to center)
10,12,14mm	96,128,160,192,256,320mm

Stainless Steel Furniture Handle
Finishes : SSS, PSS, BP, CP, NP, GP, AB, AC

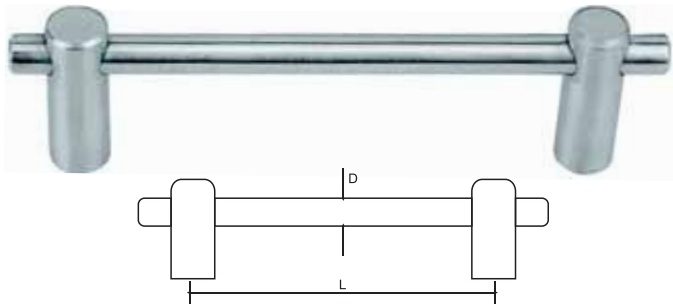


Furniture Handles



Livorno®

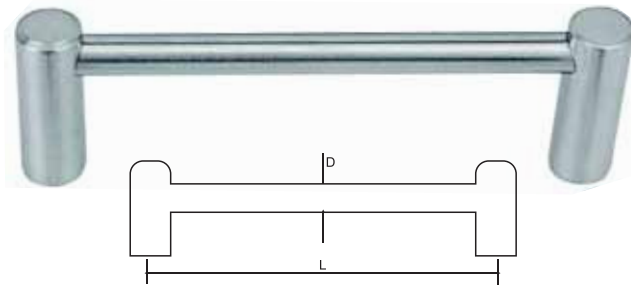
FH028SS



Diameter	Length(center to center)
10,12,14mm	96,128,160,192,256,320mm

Stainless Steel Furniture Handle
 Finishes : SSS, PSS, BP, CP, NP, GP, AB, AC

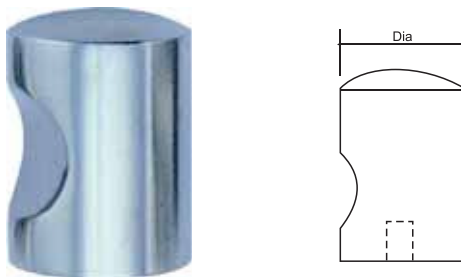
FH028ISS



Diameter	Length(center to center)
10,12,14mm	96,128,160,192,256,320mm

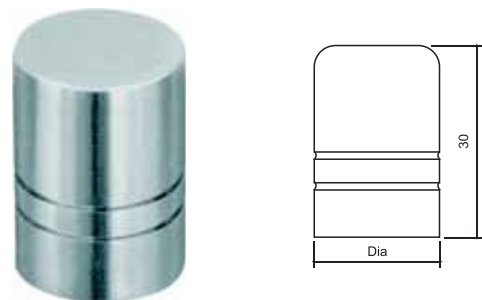
Stainless Steel Furniture Handle
 Finishes : SSS, PSS, BP, CP, NP, GP, AB, AC

FH042SS/BR



Stainless Steel Furniture Knob
 Diameter: 20 mm, 25 mm, 30 mm, 35 mm
 Finishes : SSS, PSS, BP, CP, NP, GP, AB, AC

FH05ISS/BR



Stainless Steel Furniture Knob
 Diameter: 20 mm, 25 mm, 30 mm, 35 mm
 Finishes : SSS, PSS, BP, CP, NP, GP, AB, AC

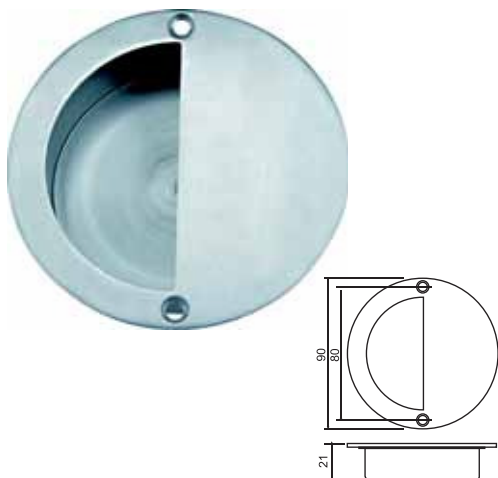


Furniture Handles

Livorno®

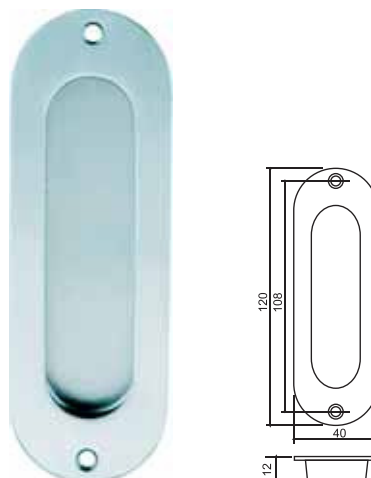


FH0020SS



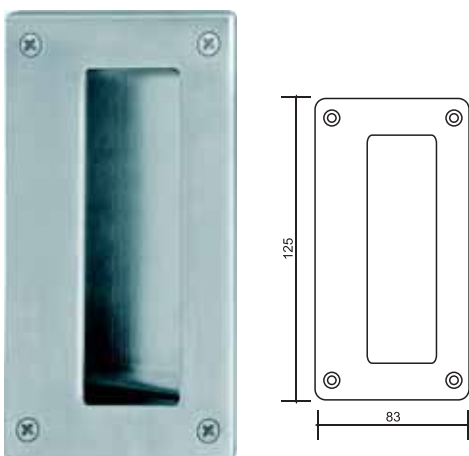
Stainless Steel Circle Furniture Handle
Finishes : SSS, PSS, BP, GP, AB, AC

FH0030SS



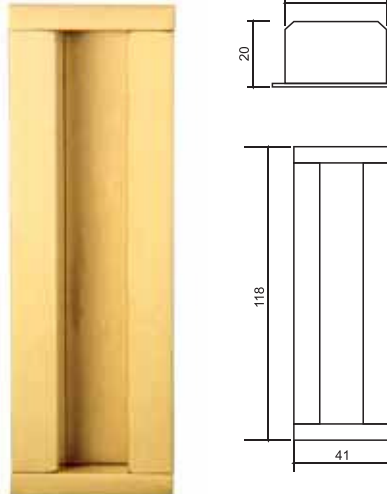
Stainless Steel Oval Furniture Handle
Finishes : SSS, PSS, BP, GP, AB, AC

FH0043SS



Stainless Steel Rectangular Furniture Handle
Finishes : SSS, PSS, BP, GP, AB, AC

FH0052BR



Brass Furniture Handle
Finishes : PB, SN, CP, NP, SC, GP, AB, AC

Furniture Handles





Livorno®



Locks & Cylinders

Locks & Cylinders



7255



Forend Finishes

Brass : Satin Brass, Polish Brass, Bronze

Stainless Steel : Satin Stainless Steel, Polish Stainless Steel

Mortise Lock - Standard Lock

Features

- according to DIN 18.25 I
- available to DIN 18.250
- for wooden or steel doors
- optional for rebated or non-rebated doors
- prepared for euro profile cylinders
- with key action
- deadbolt 2-turns

Technical data

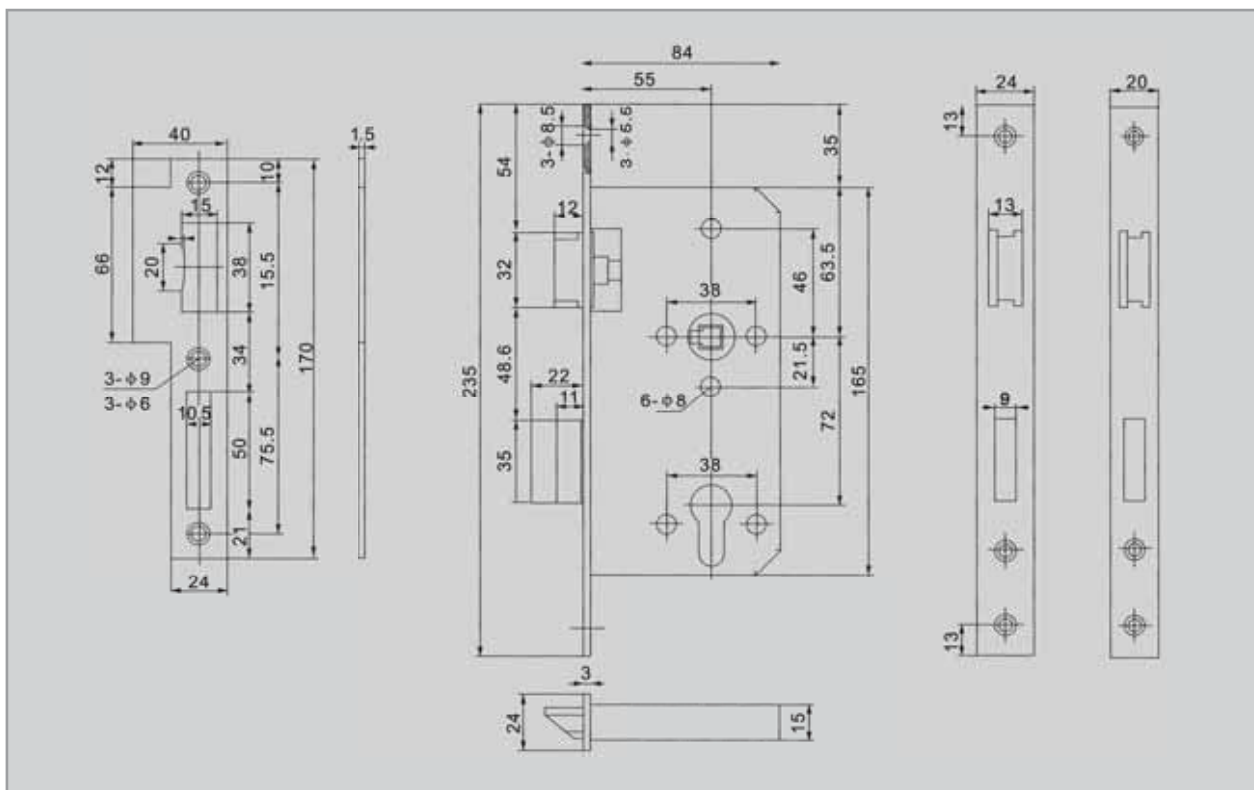
- follower □ 8mm
- distance 72mm
- backset 45mm, 55mm, 60mm

Forend

- type round head, square head
- thickness 3mm
- width 20mm, 22mm, 24mm

Accessories

- striking plate
- pocket
- lock and striking plate fixing screws





Mortise Lock - Latch Lock

Features

- according to DIN 18.251
- available to DIN 18.250
- for wooden or steel doors
- optional for rebated or non-rebated doors

Technical data

- follower □ 8mm
- backset 55mm

Forend

- type round head, square head
- thickness 3mm
- width 20mm, 22mm, 24mm

Accessories

- striking plate
- pocket
- lock and striking plate fixing screws

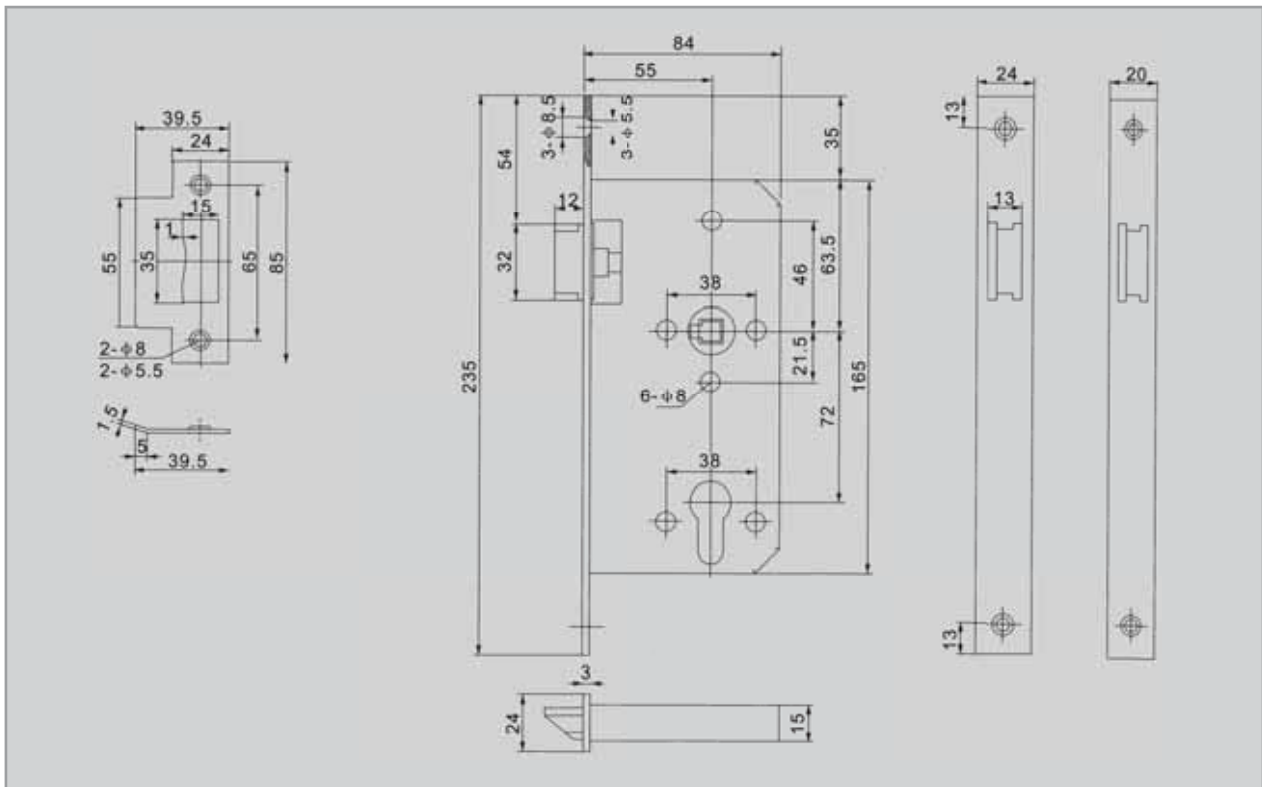
7255-L



Forend Finishes

Brass : Satin Brass, Polish Brass, Bronze

Stainless Steel : Satin Stainless Steel, Polish Stainless Steel





7255-D



Forend Finishes

Brass : Satin Brass, Polish Brass, Bronze

Stainless Steel : Satin Stainless Steel, Polish Stainless Steel

Mortise Lock - Dead Bolt Lock

Features

- according to DIN 18.25 I
- available to DIN 18.250
- for wooden or steel doors
- optional for rebated or non-rebated doors
- prepared for euro profile cylinders
- with key action
- deadbolt 2-turns

Technical data

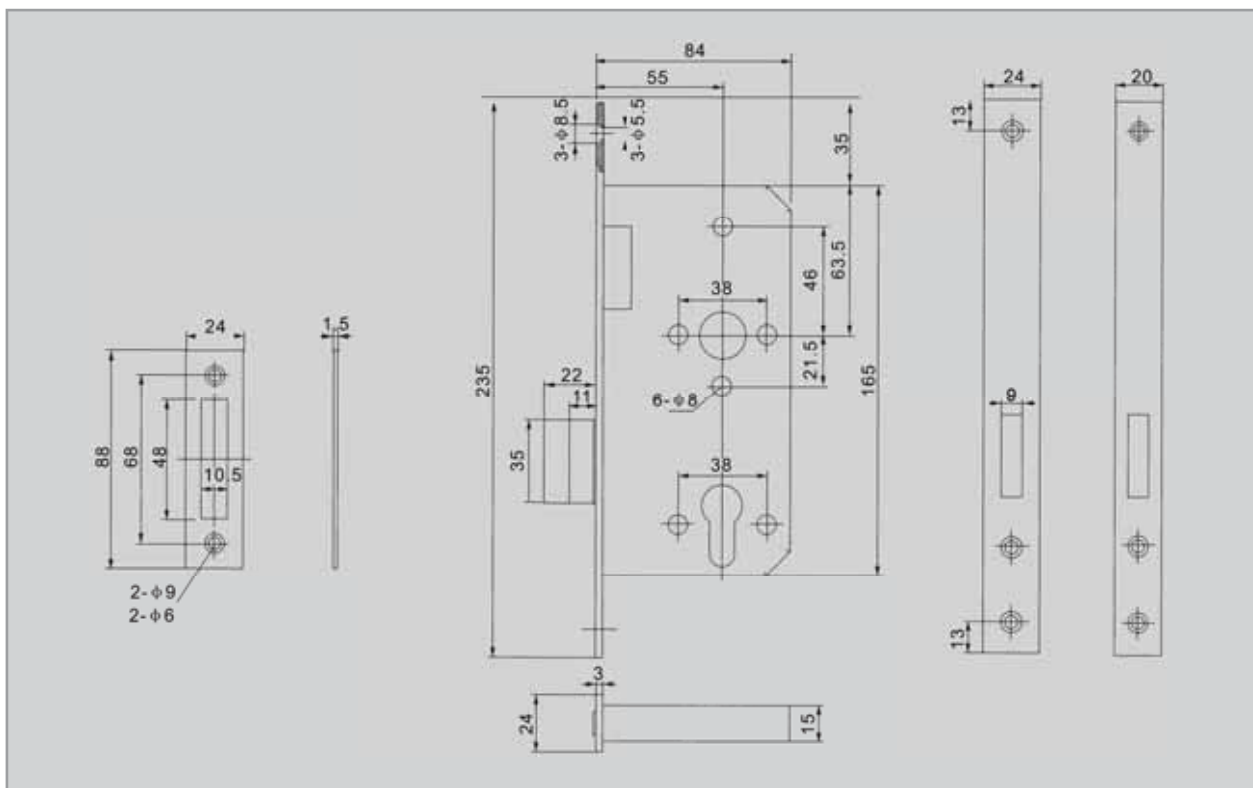
- backset 55mm

Forend

- type round head, square head
- thickness 3mm
- width 20mm, 22mm, 24mm

Accessories

- striking plate
- pocket
- lock and striking plate fixing screws





Livorno®

Mortise Lock - Bathroom

Features

- according to DIN 18.251
- available to DIN 18.250
- for wooden or steel doors
- optional for rebated or non-rebated doors
- deadbolt 2-turns

Technical data

- follower □ 8mm
- distance 78mm
- backset 45mm, 55mm, 60mm

Forend

- type round head, square head
- thickness 3mm
- width 20mm, 22mm, 24mm

Accessories

- striking plate
- pocket
- lock and striking plate fixing screws

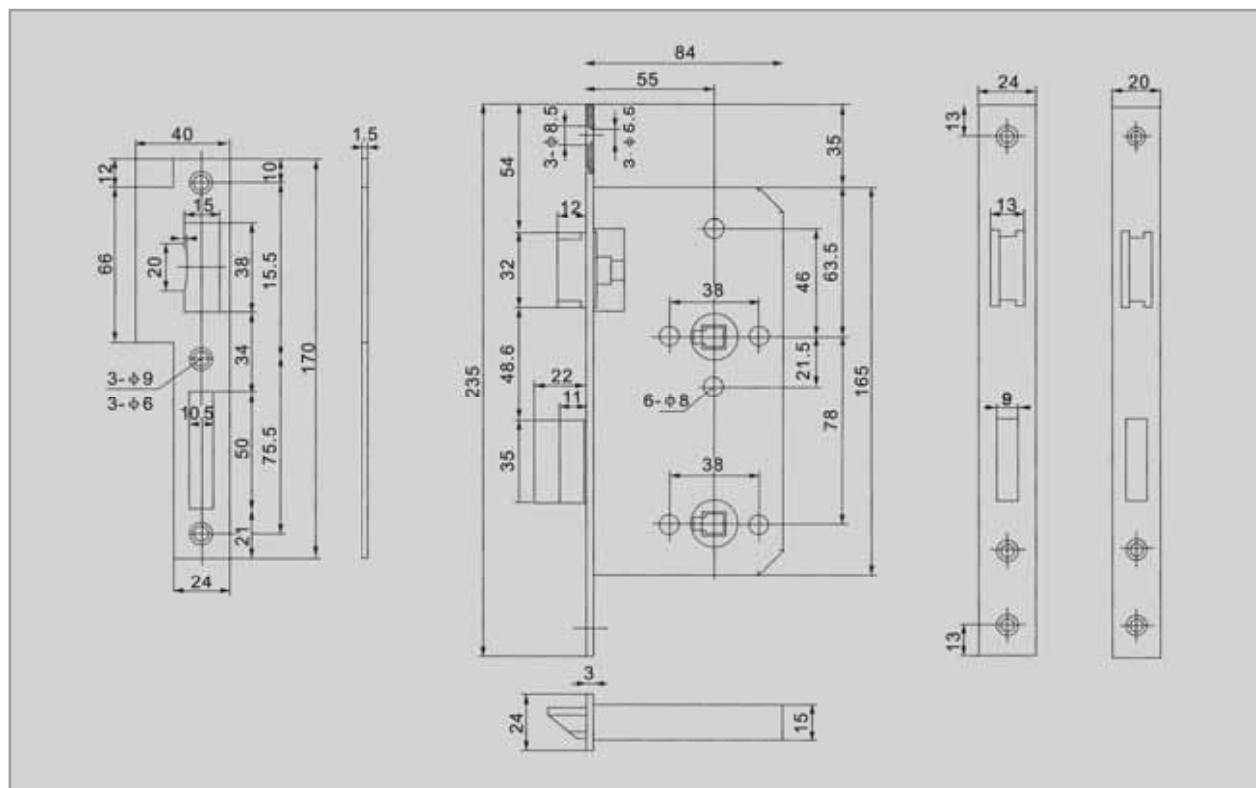
7255-WC



Forend Finishes

Brass : Satin Brass, Polish Brass, Bronze

Stainless Steel : Satin Stainless Steel, Polish Stainless Steel





8545



Forend Finishes

Brass : Satin Brass, Polish Brass, Bronze

Stainless Steel : Satin Stainless Steel, Polish Stainless Steel

Mortise Lock - Standard Lock

Features

- according to DIN 18.251 class 3
- for wooden or steel doors
- optional for rebated or non-rebated doors
- prepared for euro profile cylinders
- with key action
- deadbolt 2-turns

Technical data

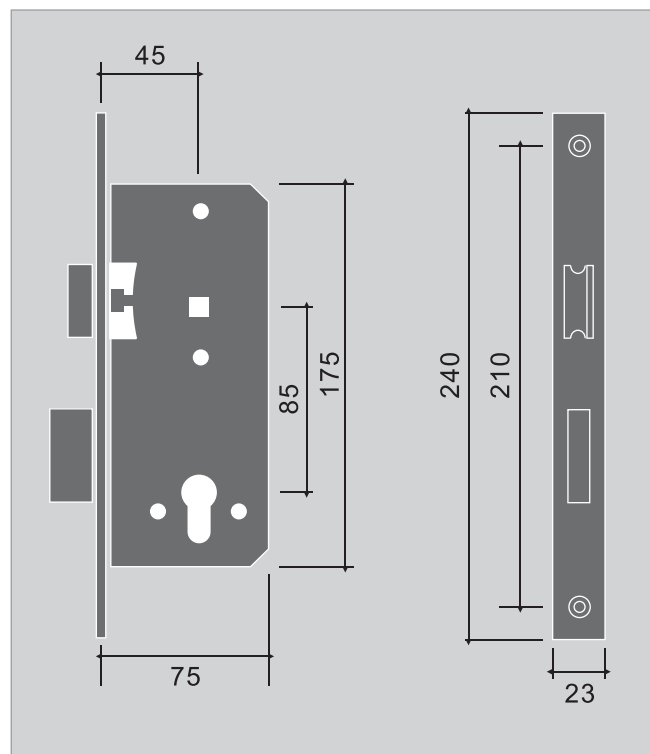
- follower □ 8mm
- distance 85mm
- backset 45mm, 55mm, 60mm, 70mm

Forend

- type square head
- thickness 3mm
- width 24mm

Accessories

- striking plate
- pocket
- lock and striking plate fixing screws





Mortise Lock - Dead Bolt Lock

55-D

Features

- according to DIN 18.251
- available to DIN 18.250
- for wooden or steel doors
- optional for rebated or non-rebated doors
- suitable for external fire and smoke Protection doors
- prepared for euro profile cylinders
- with key action
- deadbolt 2-turns

Technical data

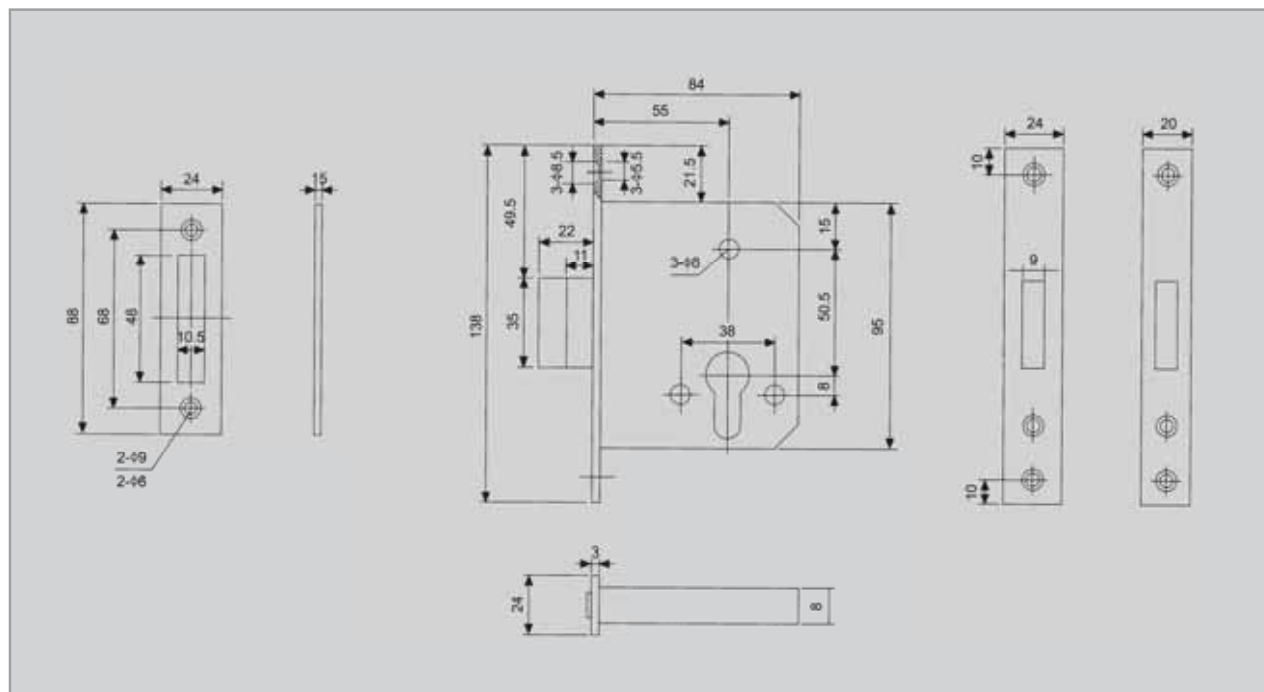
- backset 45mm, 55mm, 60mm

Forend

- type round head, square head
- thickness 3mm
- width 20mm, 22mm, 24mm

Accessories

- striking plate
- pocket
- lock and striking plate fixing screws





55-S

Mortise Lock For Sliding Doors



Features

- for wooden doors
- prepared for euro profile cylinders
- with key action

Technical data

- backset 55mm

Forend

- type square head
- thickness 3mm
- width 20mm

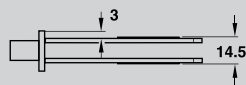
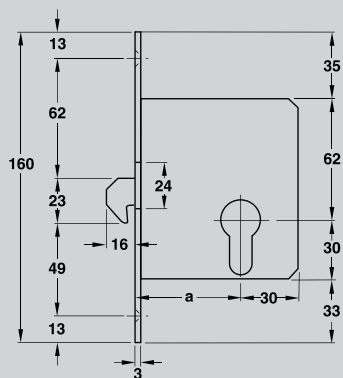
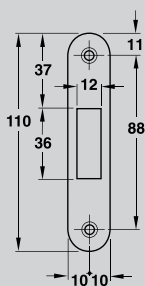
Accessories

- striking plate
- pocket
- lock and striking plate fixing screws

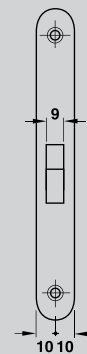
Forend Finishes

Brass : Satin Brass, Polish Brass, Bronze

Stainless Steel : Satin Stainless Steel, Polish Stainless Steel



a = backset



20 mm forend width



Mortise Lock For Double Action Doors

Features

- for wooden doors
- prepared for euro profile cylinders
- deadbolt 2-turns

Technical data

- backset 55mm

Forend

- type square head
- thickness 3mm
- width 24mm

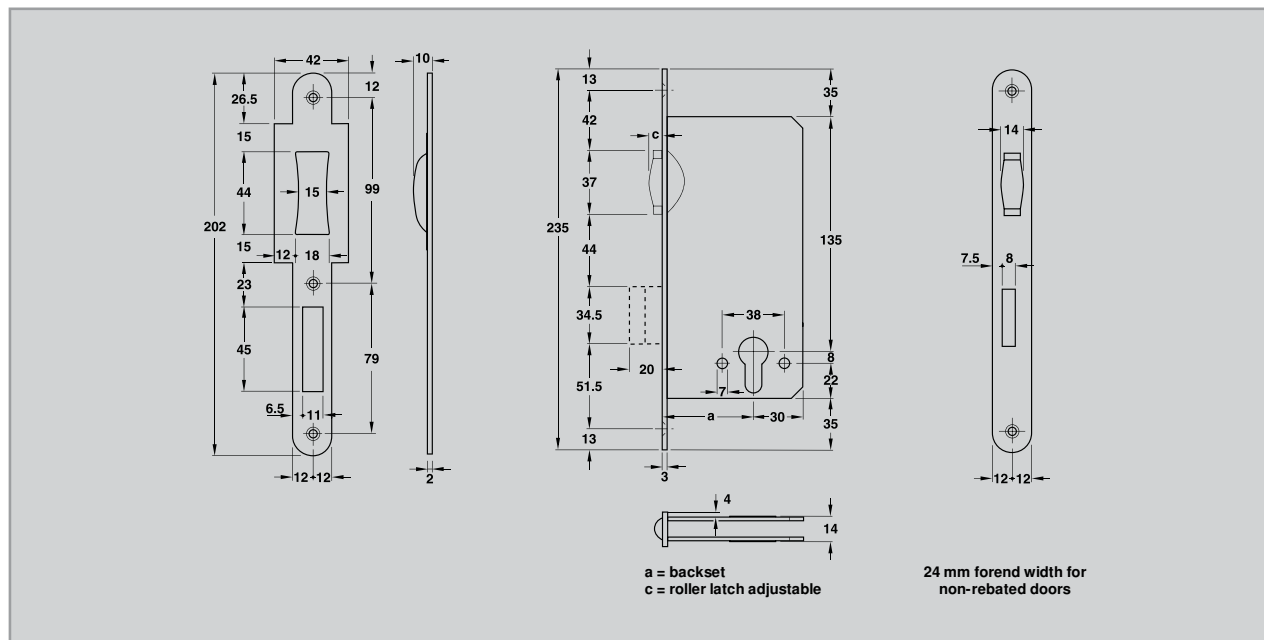
Forend finishes

- brass : satin brass, polish brass, bronze
- stainless steel : satin stainless steel, Polish stainless steel

Accessories

- striking plate
- pocket
- lock and striking plate fixing screws

55-R



Locks & Cylinders

Livorno®



KXL-101



KXL-104



KXL-102



KXL-105



KXL-103



LXL-106



Specifications (KXL)

- Basic Length 55mm
- Extension in 4/5 mm increments
- 5 Pin tumblers two sides (LXL), one side (KXL)
- 3 Keys of brass or steel nickel plated
- Different knob shapes
- Material : Solid Brass
- Finishes : PB, SB, NP, CP, AB, AC, GP, SN

Total /mm	A /mm	B /mm
55	27.5	27.5
60	30	30
63	31.5	31.5
71	35.5	35.5
81	40.5	40.5
91	45.5	45.5





BK-101



BK-104



BK-102



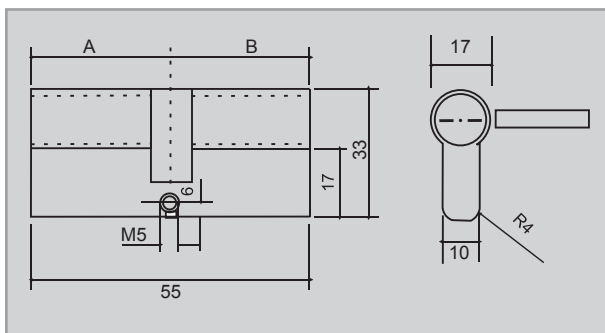
BK-105



BK-103



LX-106



Specifications (BK)

- Basic Length 55mm
- Extension in 4/5 mm increments
- Different knob shapes
- Material : Solid Brass
- Finishes : PB, SB, NP, CP, AB, AC, GP, SN
- Inside with knob, outside with Coin / Screw Driver emergency opening Function